

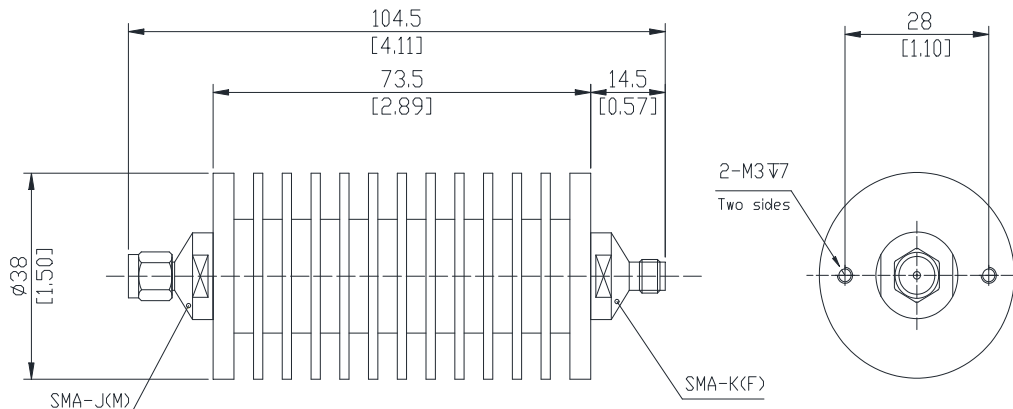
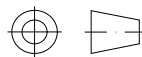


Coaxial Fixed Attenuator

Features and Electrical specifications:

Model	RFTXX-50RA3873-SMA-8 (XX=Attenuator Value)			
Frequency Range	DC~8.0GHz			
VSWR	1.25Max			
Power	50 W			
Impedance	50 Ω			
Attenuation	01-10dB	11-20dB	25、30dB	40、50、60dB
Attenuation Tolerance	±0.8dB	±1.0dB	±1.1dB	±1.3dB
Connector	SMA-J(M)/SMA-K(F)			
Dimension	Φ38×104.5mm			
Operating Temperature	-55 ~ +125°C (See de Power De-rating)			
Weight	About 200 g			
ROHS Compliant	Yes			

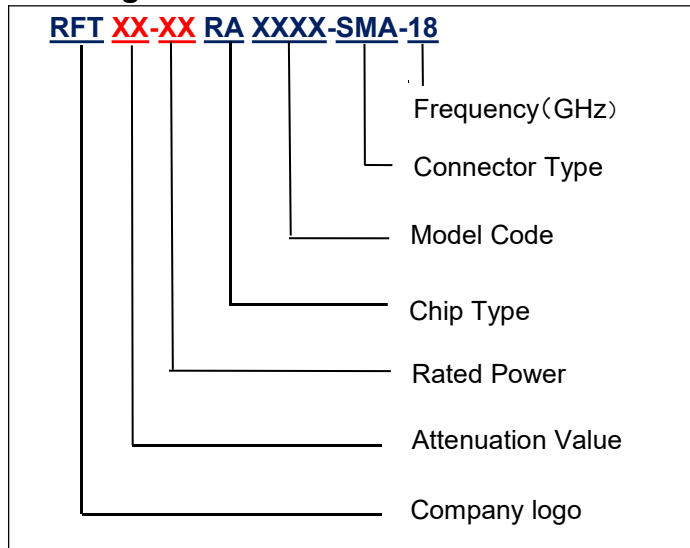
Outline Drawing (Unit: mm/inch):



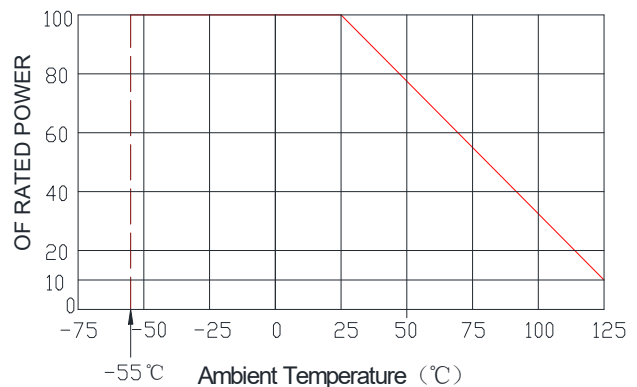
The connector could be changed to SMA-M to SMA-M or SMA-F to SMA-F



Naming rules:



Power De-rating:



Use attention:

- 1、Dimensions Tolerance $\pm 3\%$;
- 2、If necessary, the product shall be air-cooled for auxiliary heat dissipation;
- 3、Custom designs available of other special coaxial fixed attenuator;
- 4、Pay attention to the direction of the product during use and strictly prohibit reverse connection.