

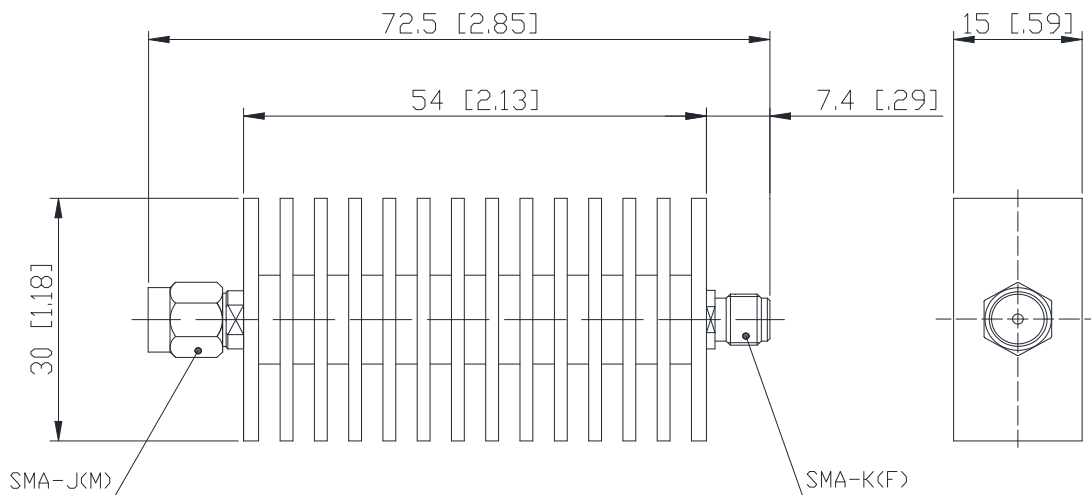


## Coaxial Fixed Attenuator

### Features and Electrical specifications:

Model	RFTXX-30FA3054-SMA-6 (XX=Attenuator Value)		
Frequency Range	DC~6.0GHz		
VSWR	1.25 Max		
Power	30 W		
Impedance	50 Ω		
Attenuation	01-10dB	11-20dB	21-30dB
Attenuation Tolerance	±0.6dB	±0.8dB	±1.0dB
Connector	SMA-J(M)/SMA-K(F)		
Dimension	15*30*72.5mm		
Operating Temperature	-55 ~ +125°C (See de Power De-rating)		
Weight	About 15 g		
ROHS Compliant	Yes		

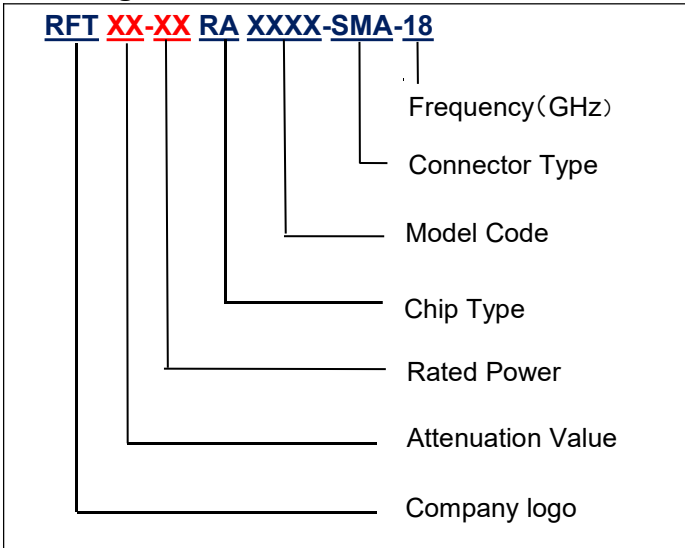
### Outline Drawing (Unit: mm/inch):



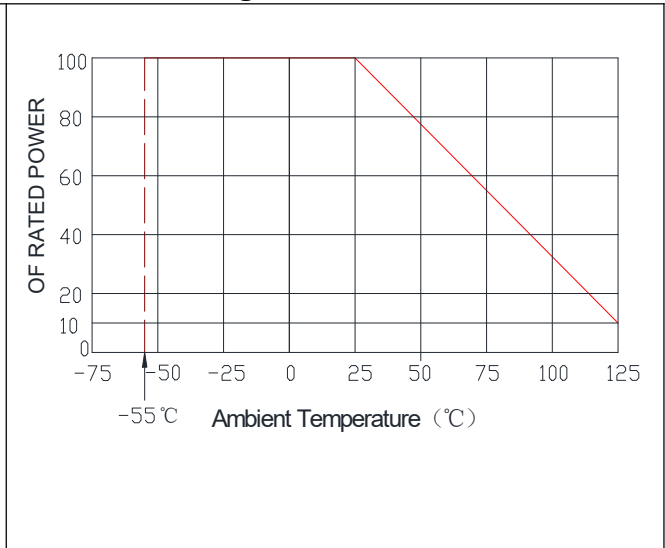
The connector could be changed to SMA-M to SMA-M or SMA-F to SMA-F



**Naming rules:**

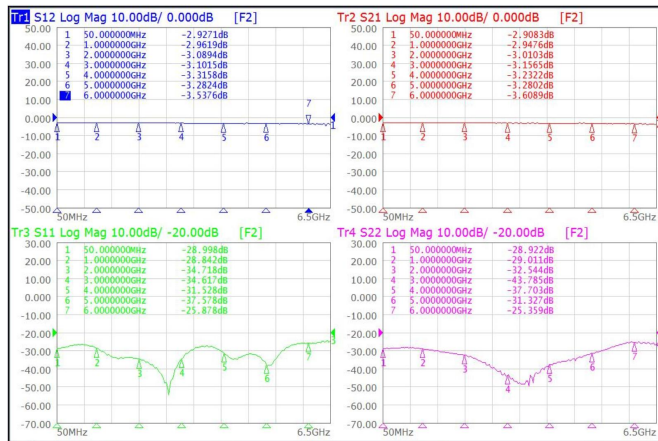


**Power De-rating:**

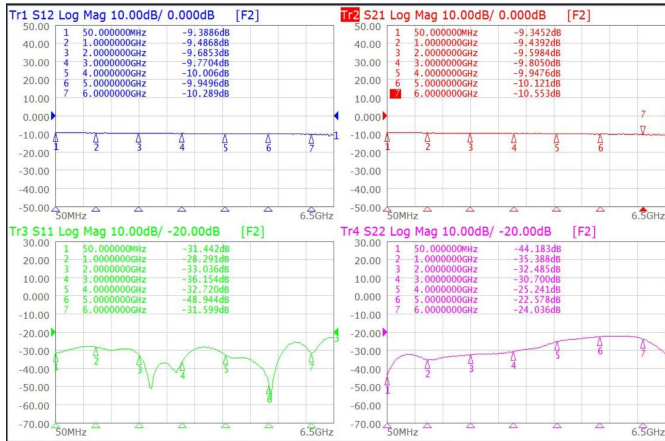


**Graph:**

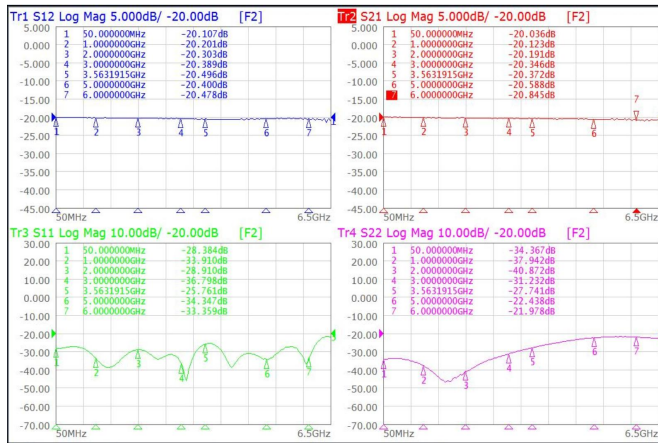
**3dB**



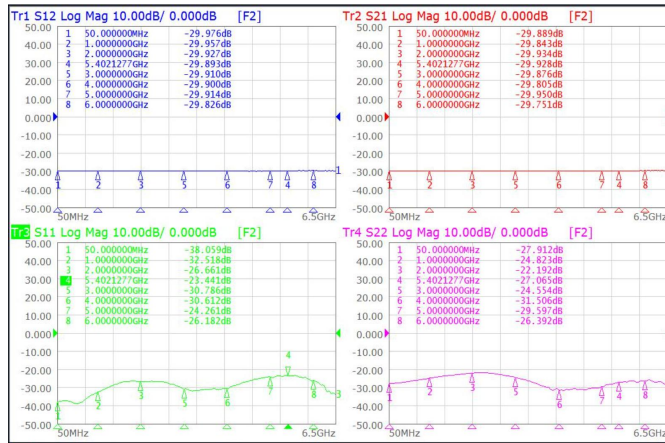
**10dB**



**20dB**

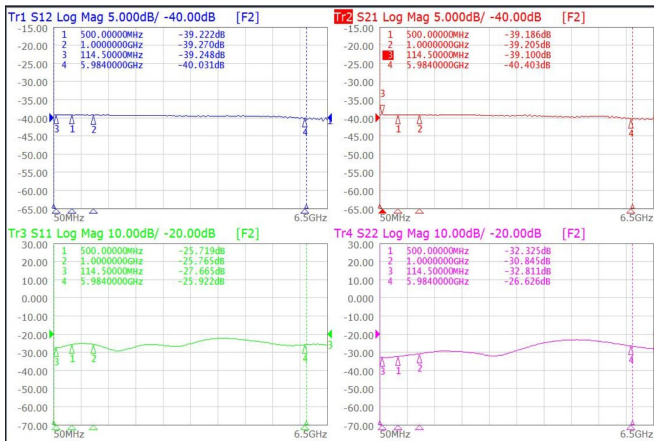


**30dB**

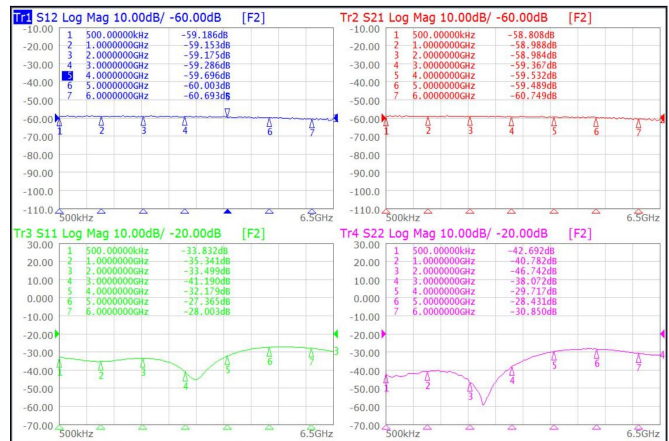




### 40dB



### 60dB



### Use attention:

- 1、 Dimensions Tolerance  $\pm 3\%$ ;
- 2、 If necessary, the product shall be air-cooled for auxiliary heat dissipation ;
- 3、 Custom designs available of other special coaxial fixed attenuator ;
- 4、 Pay attention to the direction of the product during use and strictly prohibit reverse connection.