

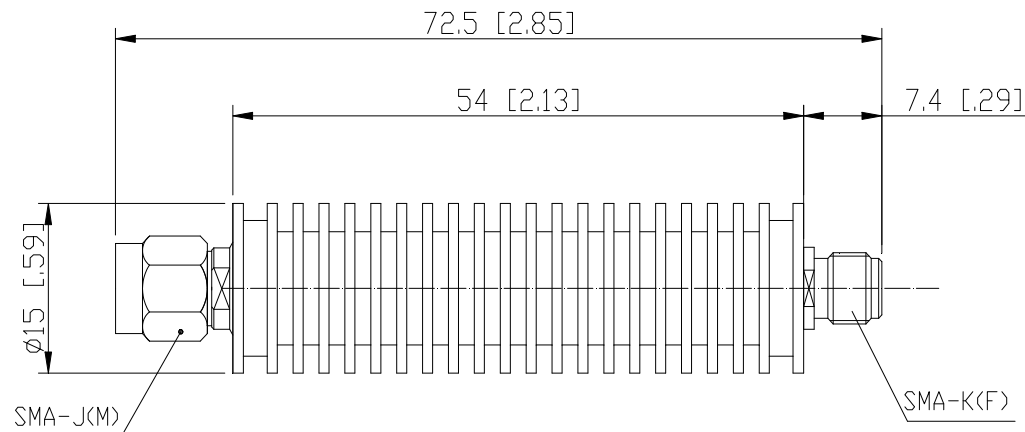
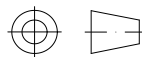


Coaxial Fixed Attenuator

Features and Electrical specifications:

Model	RFTXX-20RA1554-SMA-6 (XX=Attenuator Value)		
Frequency Range	DC~6.0GHz		
VSWR	1.20 Max		
Power	20 W		
Impedance	50 Ω		
Attenuation	01-10dB	11-20dB	21-30dB
Attenuation Tolerance	± 0.6 dB	± 0.8 dB	± 1.0 dB
Connector	SMA-J(M)/ SMA-K(F)		
Dimension	$\Phi 15 \times 72.5$ mm		
Operating Temperature	-55 ~ +125°C (See de Power De-rating)		
Weight	About 18 g		
ROHS Compliant	Yes		

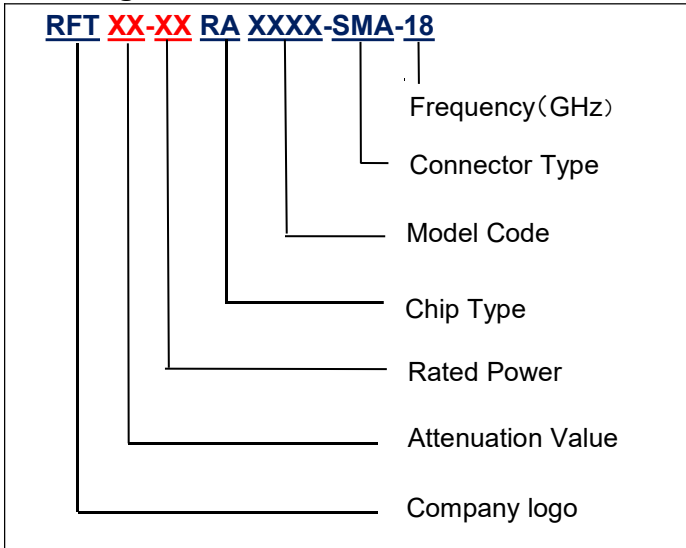
Outline Drawing (Unit: mm/inch):



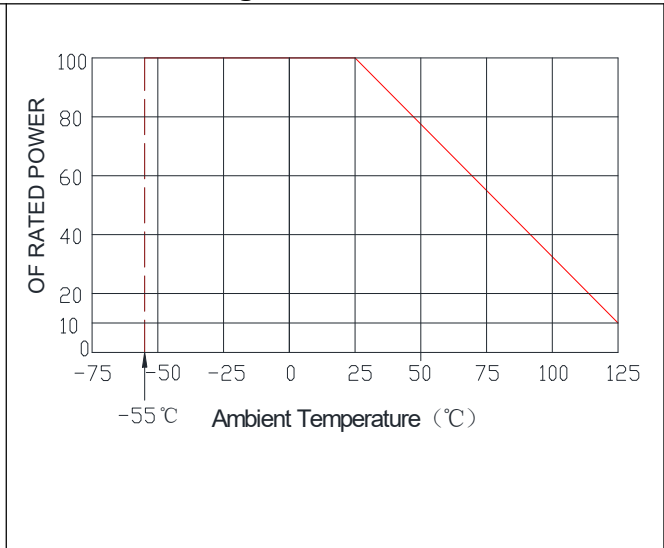
The connector could be changed to SMA-M to SMA-M or SMA-F to SMA-F



Naming rules:

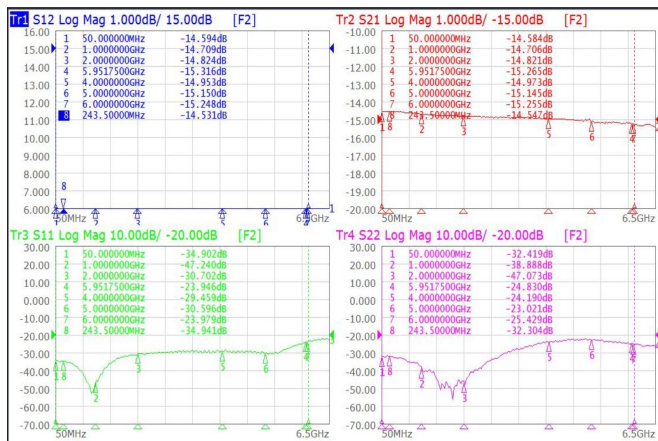


Power De-rating:

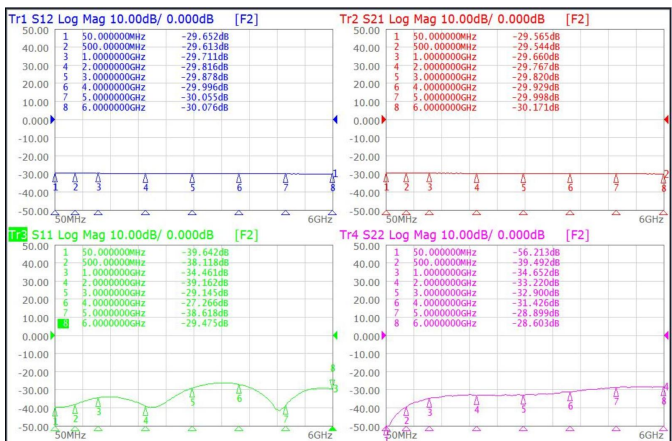


Graph:

15dB



30dB



Use attention:

- 1、Dimensions Tolerance $\pm 3\%$;
- 2、If necessary, the product shall be air-cooled for auxiliary heat dissipation ;
- 3、Custom designs available of other special coaxial fixed attenuator ;
- 4、Pay attention to the direction of the product during use and strictly prohibit reverse connection.