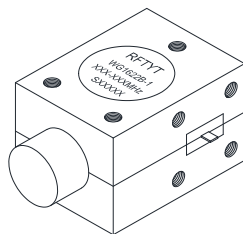
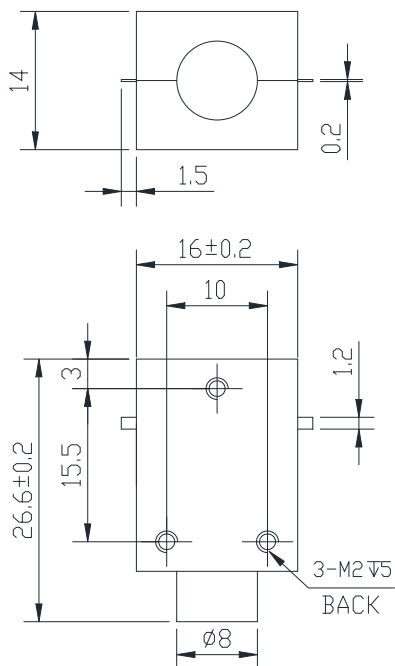


6.0 to 18.0GHz Drop in Isolator

WG1622B Microstrip line

Outline Drawing (mm):



Features:

- ◇ Good temperature stability
- ◇ Withstand high power
- ◇ RoHS compliant
- ◇ Weight : ≈ 22 g

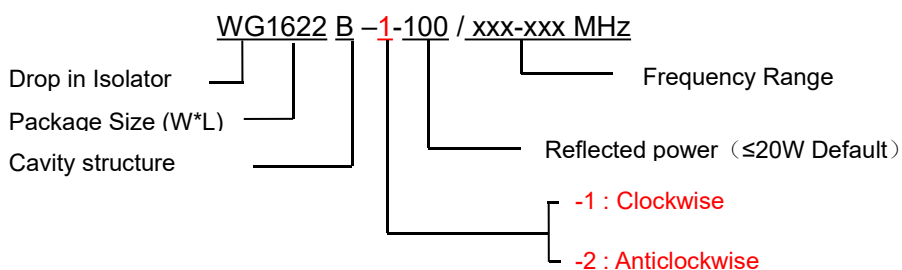
Material list:

- ◇ Cavity: aluminum conductive oxidation
- ◇ Outer shell: industrial pure iron nickel plating
- ◇ Guide body: Silver plated brass
- ◇ Load chamber: aluminum conductive oxidation

Application:

- ◇ Rf amplifier final stage, protect the amplifier
- ◇ Digital communication
- ◇ Satellite communication
- ◇ Mobile communication

Order Examples:



Basic Specifications:

Impedance	50 Ω
Connection type	Microstrip line
Size(mm)	16.0*21.5*14.0
Operating Temp	-10~+60 $^{\circ}$ C
Storage temperature	-50~+90 $^{\circ}$ C



Specifications:

Model No. (X=1: →Clockwise) (X=2: ←Anticlockwise)	Freq. Range GHz	IL. dB (max)	Isolation dB (min)	VSWR	Forward Power CW	Reverse Power W
WG1622B-X/6.0-12.0GHz	6.0-12.0	1.50	10.0	1.90	30	10
WG1622B-X/6.0-18.0GHz	6.0-18.0	1.50	9.5	2.0	30	10
WG1622B-X/8.0-18.0GHz	8.0-18.0	1.40	15.0	1.50	30	10
WG1622B-X/12.0-18.0GHz	12.0-18.0	0.80	17.0	1.40	30	10

Instructions:

- 1, The isolator reflection power is 10W;
- 2, Only some common frequencies in the table, can be produced according to user requirements;
- 3, Embedded isolator, please use stainless steel or brass screws when installing;
- 4, If you do not find the frequency you want, please contact us!