

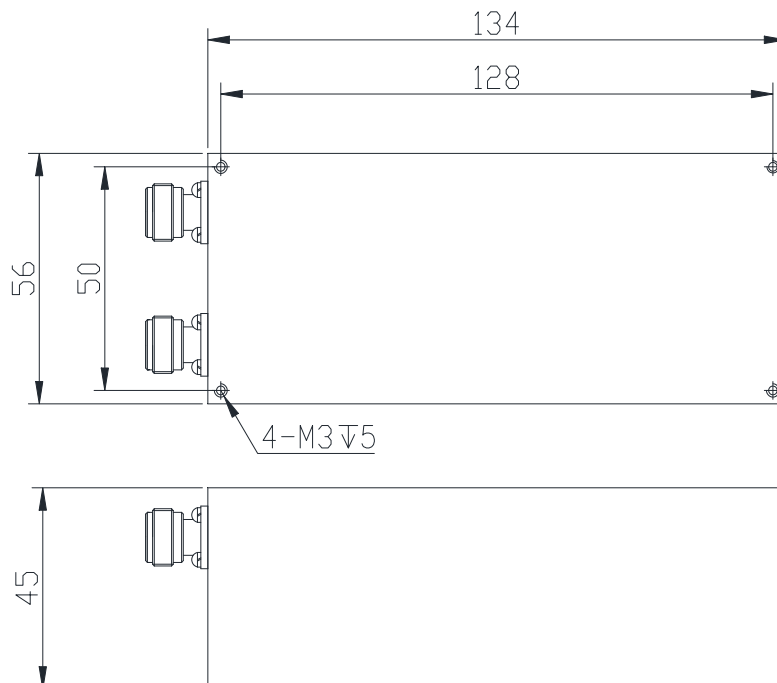
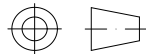


## Band Stop Filter

### Features and Electrical specifications:

|                       |                           |
|-----------------------|---------------------------|
| Model                 | BSF-1805M1880A-N          |
| Rejection band        | 1805-1880MHz              |
| Pass band             | DC~1785MHz & 1900~6000MHz |
| Insertion Loss        | ≤2.0dB                    |
| Rejection             | ≥60dB                     |
| VSWR                  | 2.0 Max                   |
| Rated Power           | 100 W                     |
| Impedance             | 50 Ω                      |
| Connector Type        | N-F                       |
| Dimension             | 134.0x56.0x45.0mm         |
| Surface Finishing     | Black Painting            |
| Operating Temperature | Ordinary temperature      |
| Storage Temperature   | -55 ~ +85°C               |

### Outline Drawing (Unit: mm):



**RFTYT Technology Co., LTD.**

<http://www.rfyt.com>

E-mail : [jackson@rfyt.com](mailto:jackson@rfyt.com)      [zqc7708@rfyt.com](mailto:zqc7708@rfyt.com)

TEL: +86-13088268828      FAX: +86-816-2846565

218# Wenwu Middle Road, Jinkai District, Mianyang, Sichuan Province China

**Ready For Tackling Your Trouble**