

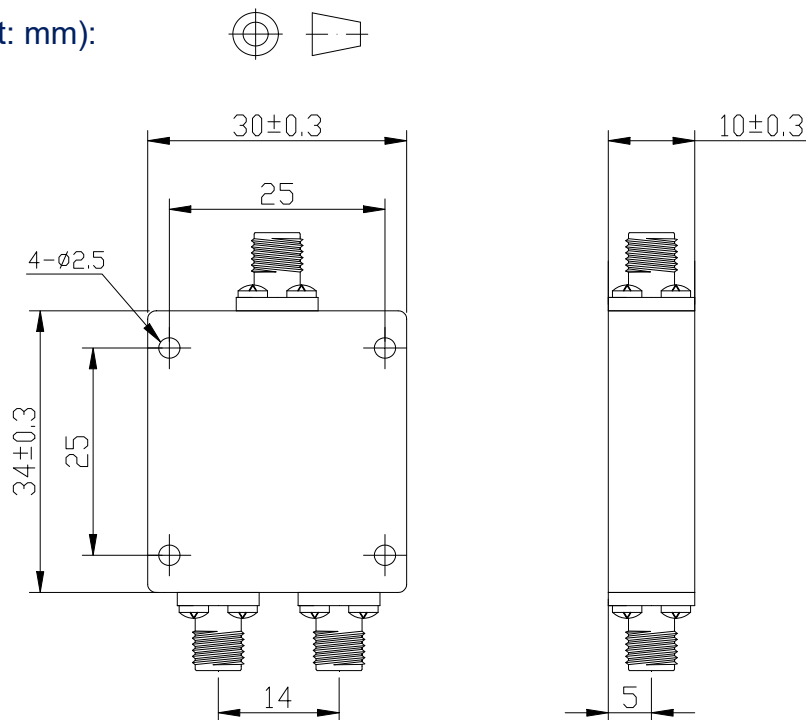


2 Way Power Divider

Features and Electrical specifications:

Model	PD02-F3034-S/3.0-3.5GHz
Frequency Range	3000-3500 MHz
Insertion Loss	≤0.5dB
Input Port VSWR	1.3 Max
Output Port VSWR	1.2 Max
Isolation	20 dB Min
Amplitude Balance	±0.2dB
Phase Balance	± 3°
Impedance	50 Ohms
Connector Type	SMA-Female
Power Rating	20W
Reverse power	2W
Operation Temperature	-40~ +80°C
Storage temperature	-45~ +85°C
Surface Finishing	Grey Painting
Outline Dimensions	30.0×34.0×10 (mm)

Outline Drawing (Unit: mm):



RFTYT Technology Co., LTD.

<http://www.rftyt.com>

E-mail : jackson@rftyt.com zqc7708@rftyt.com

TEL: +86-13088268828 FAX: +86-816-2846565

218# Wenwu Middle Road, Jinkai District, Mianyang, Sichuan Province China

Ready For Tackling Your Trouble