

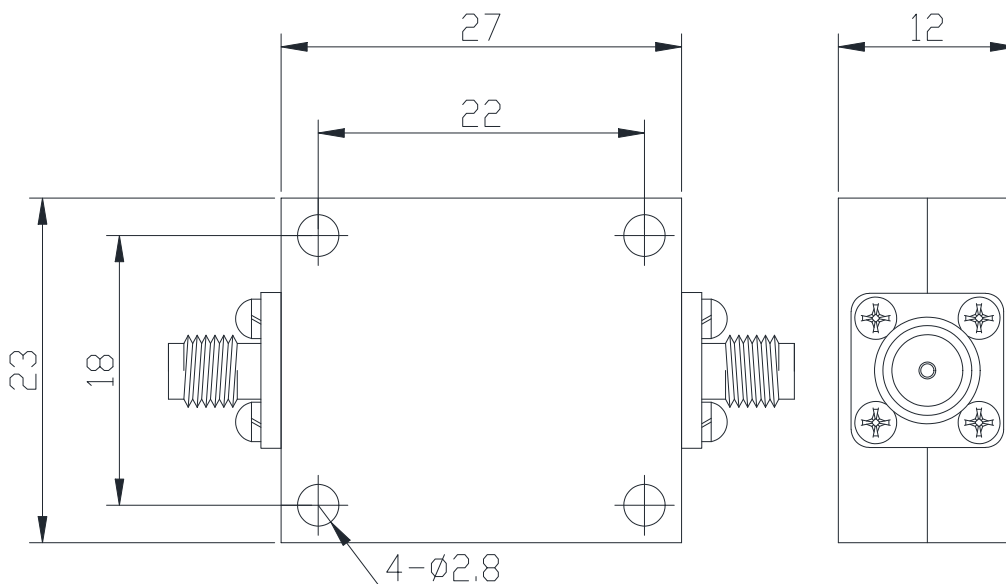
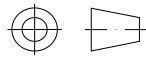


High Pass Filter

Features and Electrical specifications:

Model	HPF-8G18A-S
Frequency Range	8-18GHz
Insertion Loss	≤2.0dB
Rejection	≥50dB@DC-6800MHZ
VSWR	2.0 Max
Rated Power	5 W
Impedance	50 Ω
Connector Type	SMA-F
Dimension	27.0x23.0x12.0mm
Surface Finishing	Black Painting
Operating Temperature	Ordinary temperature
Storage Temperature	-55 ~ +85°C

Outline Drawing (Unit: mm):



RFTYT Technology Co., LTD.

<http://www.rfyt.com>

E-mail : jackson@rfyt.com zqc7708@rfyt.com

TEL: +86-13088268828 FAX: +86-816-2846565

218# Wenwu Middle Road, Jinkai District, Mianyang, Sichuan Province China

Ready For Tackling Your Trouble