

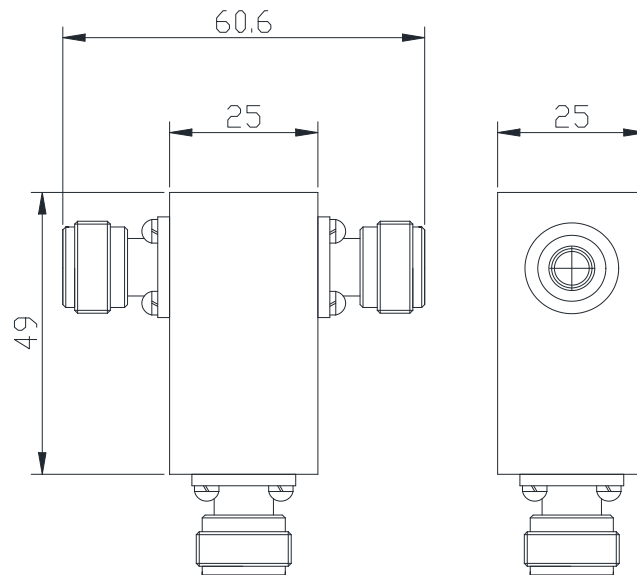
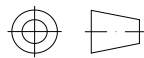


2 Way Power Divider

Features and Electrical specifications:

Model	PD02-F6149-N/5-6GHz
Frequency Range	5.0-6.0 GHz
Insertion Loss	≤0.8dB
Split Loss	3.5 dB
Isolation	20 dB min
VSWR	1.20 Max
Rated Power	300 W
Impedance	50 Ω
Connector Type	N-F
Waterproof Grade	IP65
Relative Humidity	≤95%
Surface Finishing	Black Painting
Operating Temperature	-20~ +60°C
ROHS Compliant	Yes

Outline Drawing (Unit: mm):



RFTYT Technology Co., LTD.

<http://www.rftyt.com>

E-mail : jackson@rftyt.com zqc7708@rftyt.com

TEL: +86-13088268828 FAX: +86-816-2846565

218# Wenwu Middle Road, Jinkai District, Mianyang, Sichuan Province China

Ready For Tackling Your Trouble