

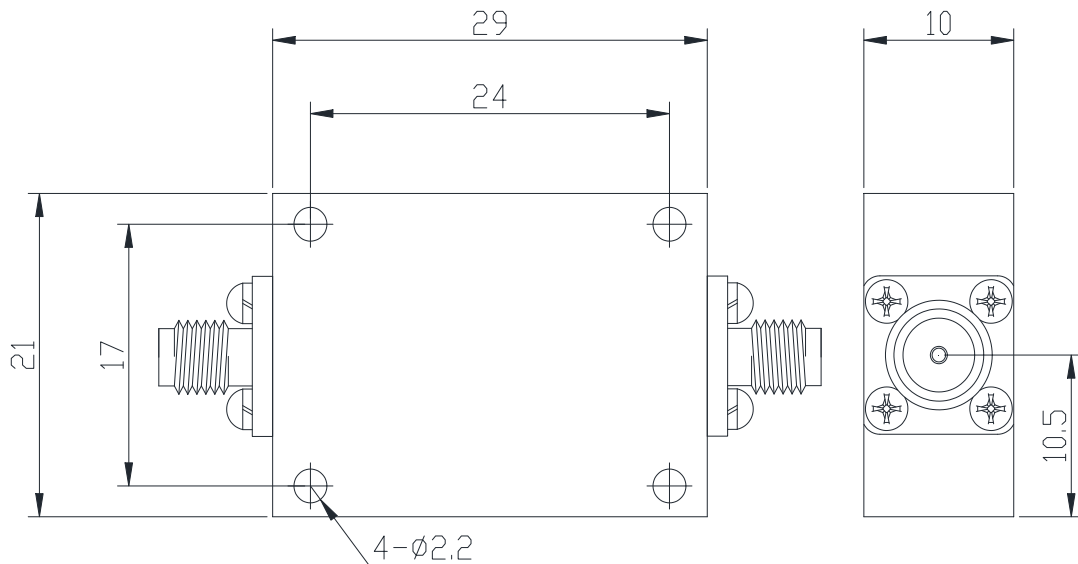
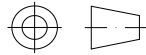


# High Pass Filter

## Features and Electrical specifications:

Model	HPF-8G25A-S	
Frequency Range	8-25GHz	
Insertion Loss	$\leq 2.0\text{dB}@8000-8500\text{MHz}$	$\leq 1.0\text{dB}@8500-25000\text{MHz}$
Rejection	$\geq 60\text{dB}@DC-7250\text{MHz}$	
VSWR	Input : 1.5 Max	Output : 1.5 Max
Rated Power	15 W	
Impedance	50 $\Omega$	
Connector Type	SMA-F	
Dimension	29.0x21.0x10.0mm	
Surface Finishing	Black Painting	
Operating Temperature	Ordinary temperature	
Storage Temperature	-55 ~ +85°C	

## Outline Drawing (Unit: mm):



**RFTYT Technology Co., LTD.**

<http://www.rftyt.com>

E-mail : [jackson@rftyt.com](mailto:jackson@rftyt.com)      [zqc7708@rftyt.com](mailto:zqc7708@rftyt.com)

TEL: +86-13088268828      FAX: +86-816-2846565

218# Wenwu Middle Road, Jinkai District, Mianyang, Sichuan Province China

**Ready For Tackling Your Trouble**