

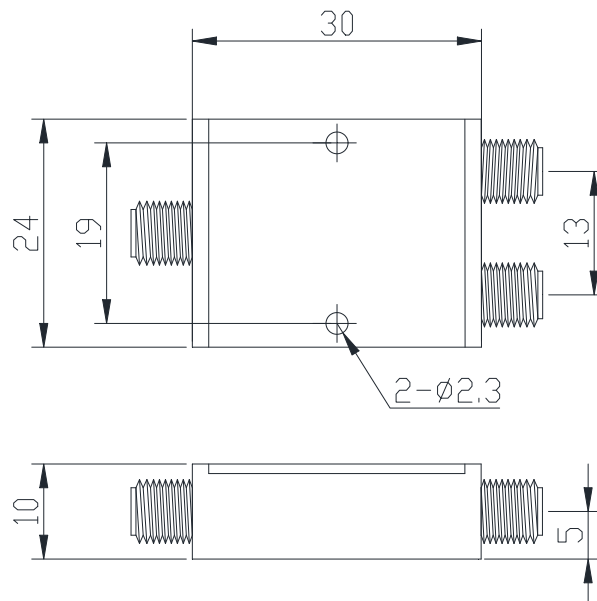
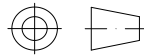


2 Way Power Divider

Features and Electrical specifications:

Model	PD02-F2430-S/6-18GHz	
Frequency Range	6-18 GHz	
Insertion Loss	≤0.8dB	
Isolation	18 dB min	
VSWR	Input : 1.40 Max	Output : 1.40 Max
Amplitude Unbalance	±0.3 dB	
Phase Unbalance	± 6°	
Rated Power	Forward : 30 W	Reverse : 1 W
Impedance	50 Ω	
Connector Type	SMA-F	
Dimension	24.0X30.0X10.0 mm	
Surface Finishing	Grey Painting	
Operating Temperature	-45~ +75°C	
ROHS Compliant	Yes	

Outline Drawing (Unit: mm):



RFTYT Technology Co., LTD.

<http://www.rfyt.com>

E-mail : jackson@rfyt.com zqc7708@rfyt.com

TEL: +86-13088268828 FAX: +86-816-2846565

218# Wenwu Middle Road, Jinkai District, Mianyang, Sichuan Province China

Ready For Tackling Your Trouble