

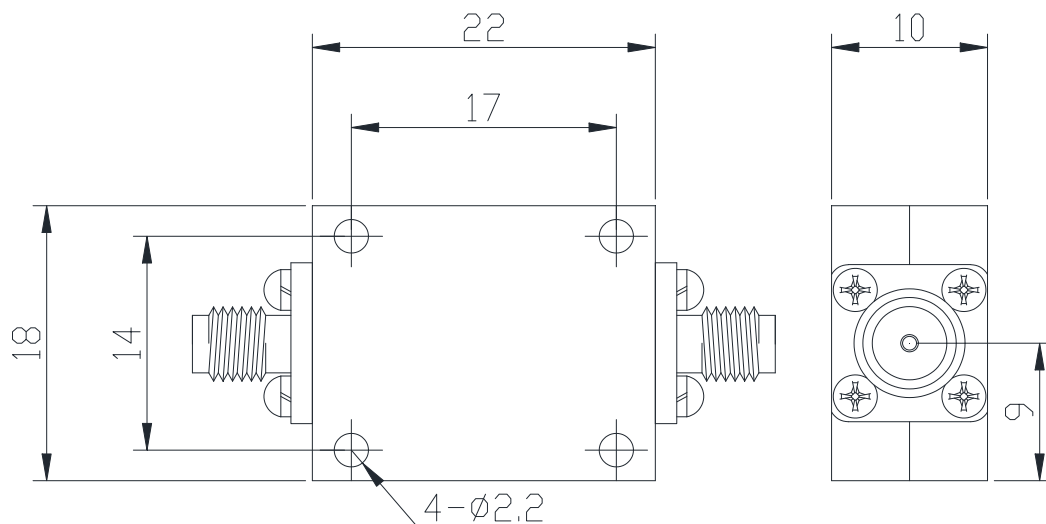
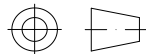


High Pass Filter

Features and Electrical specifications:

| | |
|-----------------------|----------------------------------------|
| Model | HPF-11G24A-S |
| Frequency Range | 11-24GHz |
| Insertion Loss | ≤2.5dB |
| Rejection | ≥60dB@DC-6000MHz ≥40dB@6000-9000MHz |
| VSWR | 1.8 Max |
| Rated Power | 10 W |
| Impedance | 50 Ω |
| Connector Type | SMA-F |
| Dimension | 22.0x18.0x10.0mm |
| Surface Finishing | Black Painting |
| Operating Temperature | Ordinary temperature |
| Storage Temperature | -55 ~ +85°C |

Outline Drawing (Unit: mm):



RFTYT Technology Co., LTD.

<http://www.rftyt.com>

E-mail : jackson@rftyt.com zqc7708@rftyt.com

TEL: +86-13088268828 FAX: +86-816-2846565

218# Wenwu Middle Road, Jinkai District, Mianyang, Sichuan Province China

Ready For Tackling Your Trouble