

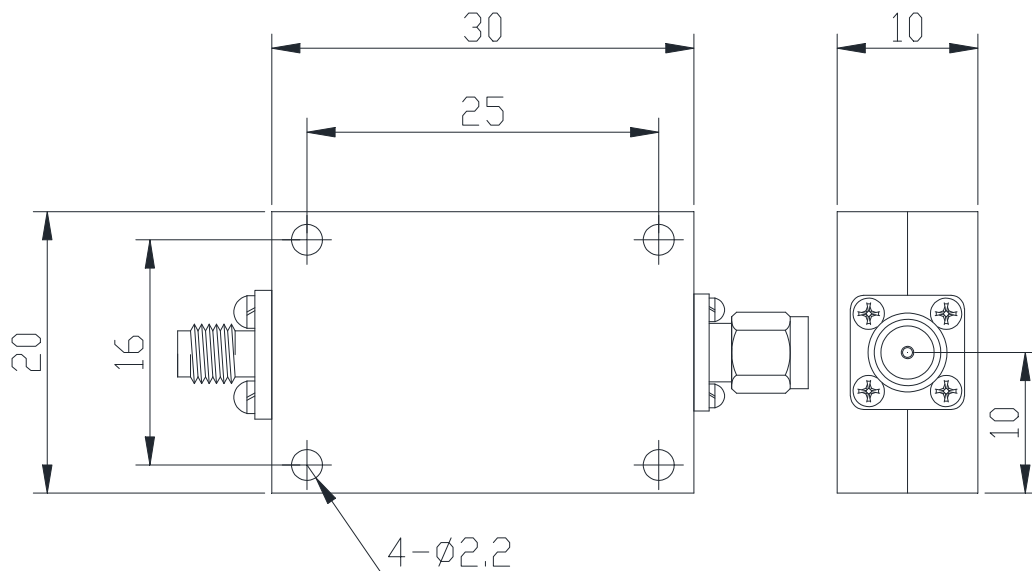
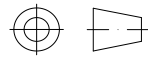


High Pass Filter

Features and Electrical specifications:

Model	HPF-11.7G15A-S
Frequency Range	11.7-15 GHz
Insertion Loss	≤1.0dB
Rejection	≥15dB@DC-9.8GHz
VSWR	1.3 Max
Rated Power	10 W
Impedance	50 Ω
Connector Type	SMA-F
Dimension	30.0x20.0x10.0mm
Surface Finishing	Black Painting
Operating Temperature	Ordinary temperature
Storage Temperature	-55 ~ +85°C

Outline Drawing (Unit: mm):



RFTYT Technology Co., LTD.

<http://www.rfyt.com>

E-mail : jackson@rfyt.com zqc7708@rfyt.com

TEL: +86-13088268828 FAX: +86-816-2846565

218# Wenwu Middle Road, Jinkai District, Mianyang, Sichuan Province China

Ready For Tackling Your Trouble