

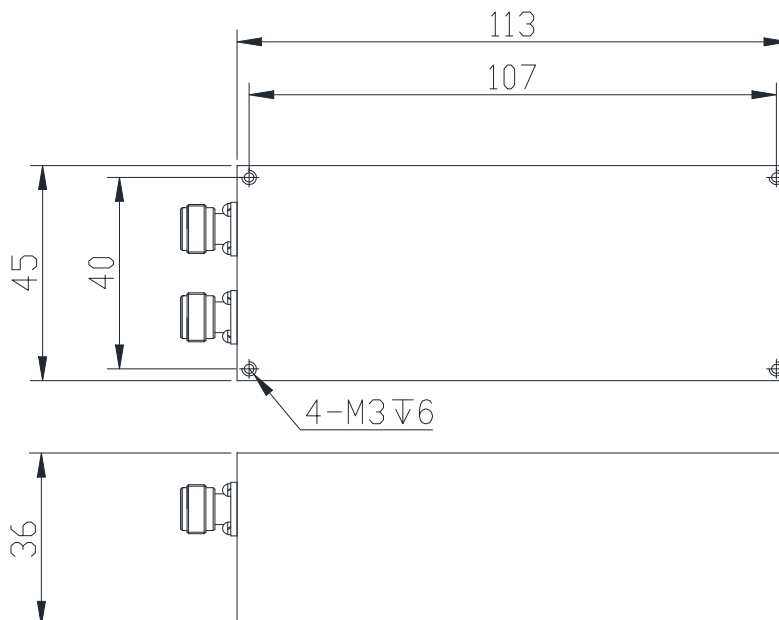
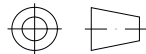


Band Stop Filter

Features and Electrical specifications:

Model	BSF-2110M2170A-N
Rejection band	2110-2170MHz
Pass band	DC~2090MHz & 2190~6000MHz
Insertion Loss	≤2.0dB
Rejection	≥60dB
VSWR	2.0 Max
Rated Power	100 W
Impedance	50 Ω
Connector Type	N-F
Dimension	113.0x45.0x36.0mm
Surface Finishing	Black Painting
Operating Temperature	Ordinary temperature
Storage Temperature	-55 ~ +85°C

Outline Drawing (Unit: mm):



RFTYT Technology Co., LTD.

<http://www.rftyt.com>

E-mail : jackson@rftyt.com zqc7708@rftyt.com

TEL: +86-13088268828 FAX: +86-816-2846565

218# Wenwu Middle Road, Jinkai District, Mianyang, Sichuan Province China

Ready For Tackling Your Trouble