

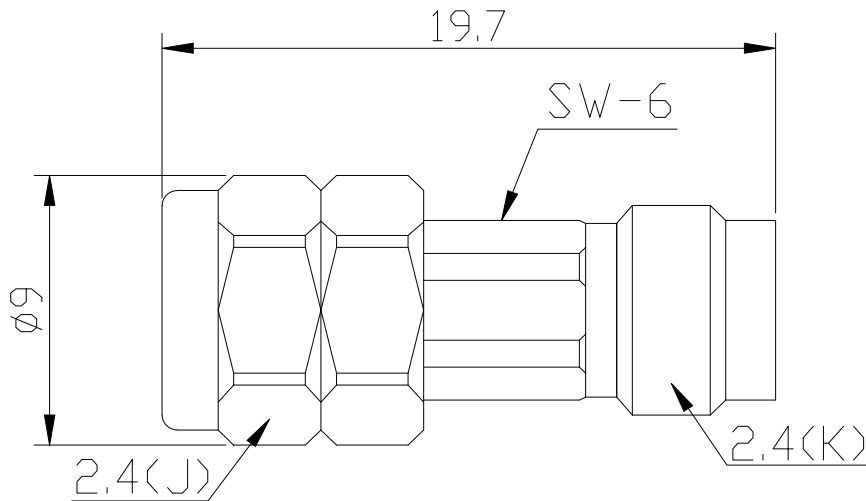
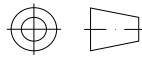


Coaxial Fixed Attenuator

Features and Electrical specifications:

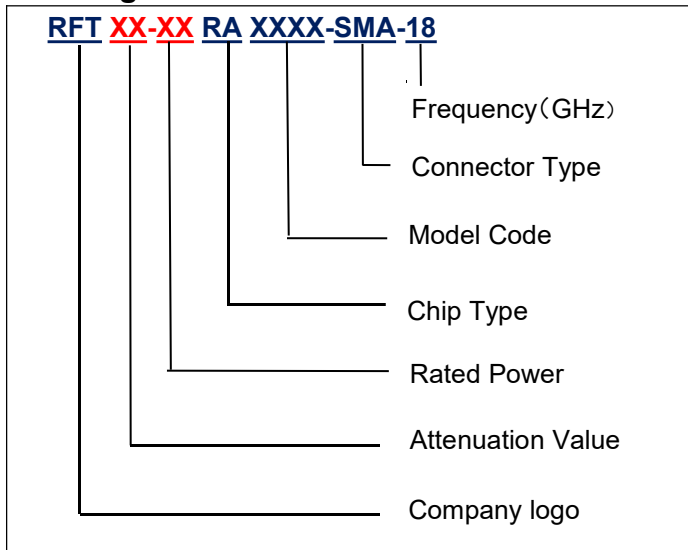
Model	RFTXX-02RA0652-2.4-50 (XX=Attenuator Value)		
Frequency Range	DC~50.0GHz		
VSWR	1.30 Max		
Power	2 W		
Impedance	50 Ω		
Attenuation	1-10dB	20dB	30dB
Attenuation Tolerance	-1.0 dB /+1.0 dB	-1.0 dB /+1.2 dB	-1.0 dB /+1.2 dB
Connector	2.4-J(M)/2.4-K(F)		
Dimension	Φ9×19.7mm		
Operating Temperature	-55 ~ +125°C (See de Power De-rating)		
Weight	About 5 g		
ROHS Compliant	Yes		

Outline Drawing (Unit: mm/inch):





Naming rules:



Power De-rating:



Use attention:

- 1、 Dimensions Tolerance $\pm 3\%$;
- 2、 If necessary, the product shall be air-cooled for auxiliary heat dissipation ;
- 3、 Custom designs available of other special coaxial fixed attenuator ;
- 4、 Pay attention to the direction of the product during use and strictly prohibit reverse connection.