

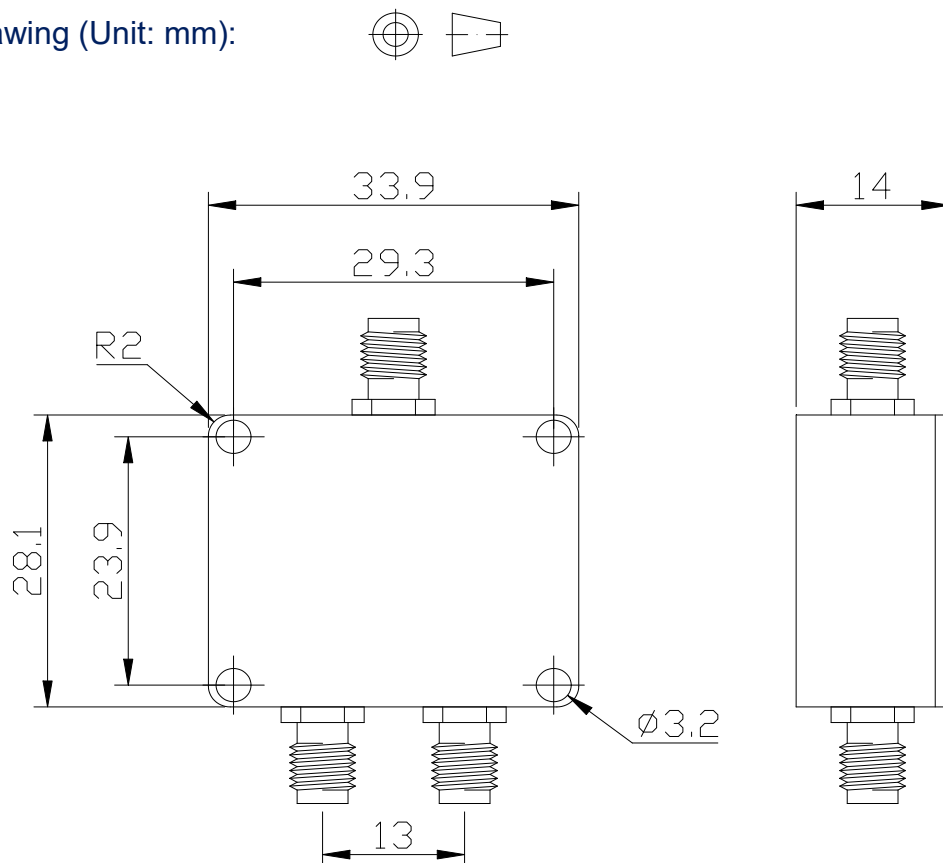


## 2 Way Power Divider

### Features and Electrical specifications:

Model	PD02-F3428-S/5200-5400MHz
Frequency Range	5200-5400 MHz
Split loss	3.0 dB
Insertion Loss	≤0.5 dB
Isolation	≥20 dB Min
VSWR	≤1.25
Rated Power	20 W
Impedance	50 Ω
Connector Type	SMA-F
Dimension	33.9X28.1X14 mm
Operating Temperature	-40 ~ +70°C
ROHS Compliant	Yes

Outline Drawing (Unit: mm):



**RFTYT Technology Co., LTD.**

<http://www.rftyt.com>

E-mail : [jackson@rftyt.com](mailto:jackson@rftyt.com)      [zqc7708@rftyt.com](mailto:zqc7708@rftyt.com)

TEL: +86-13088268828      FAX: +86-816-2846565

218# Wenwu Middle Road, Jinkai District, Mianyang, Sichuan Province China

**Ready For Tackling Your Trouble**