

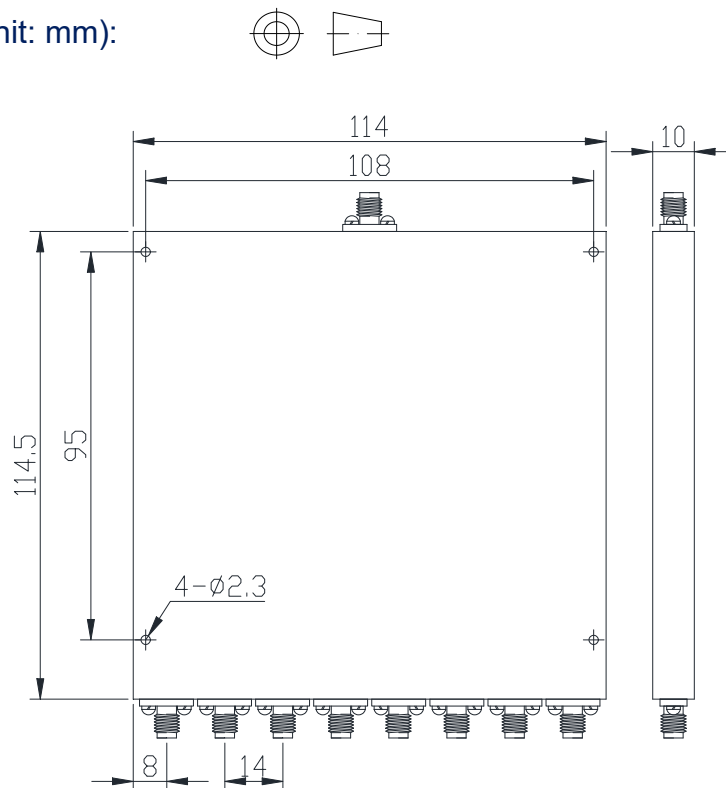


8 Way Power Divider

Features and Electrical specifications:

| | | |
|-----------------------|--------------------------|--------------------|
| Model | PD08-F1111-S/500-8000MHz | |
| Frequency Range | 500-8000 MHz | |
| Insertion Loss | ≤2.50dB | |
| Isolation | 18 dB Min | |
| VSWR | Input: 1.50 Max | Output: 1.40 Max |
| Amplitude Unbalance | ±0.5 dB | |
| Phase Unbalance | ± 5° | |
| Rated Power | Forward Power: 20 W | Reverse Power: 1 W |
| Impedance | 50 Ω | |
| Connector Type | SMA-F | |
| Dimension | 114.5X114.0X10.0 mm | |
| Surface Finishing | Grey Painting | |
| Operating Temperature | -45 ~ +85°C | |
| ROHS Compliant | Yes | |

Outline Drawing (Unit: mm):



RFTYT Technology Co., LTD.

<http://www.rftyt.com>

E-mail : jackson@rftyt.com zqc7708@rftyt.com

TEL: +86-13088268828 FAX: +86-816-2846565

218# Wenwu Middle Road, Jinkai District, Mianyang, Sichuan Province China

Ready For Tackling Your Trouble