

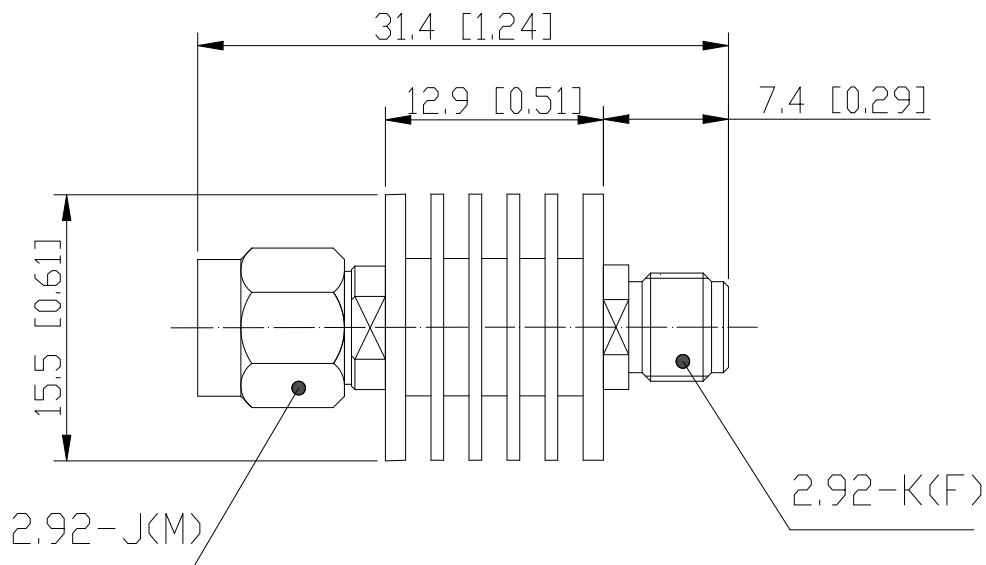


## Coaxial Fixed Attenuator

### Features and Electrical specifications:

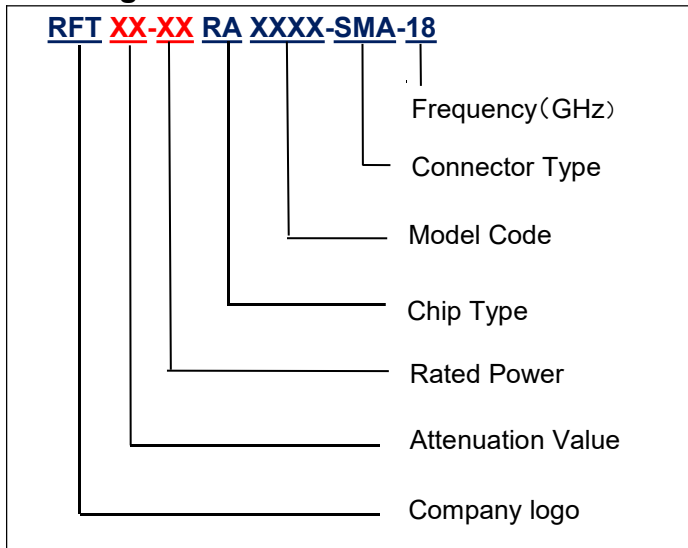
Model	RFTXX-05RA1513-2.92-40 (XX=Attenuator Value)				
Frequency Range	DC~40.0GHz				
VSWR	1.35 Max				
Power	5 W				
Impedance	50 Ω				
Attenuation	1-10dB	15dB	20dB	30dB	40dB
Attenuation Tolerance	±1.2dB	-1.0/+1.5	-1.0/+1.5	±1.3dB	±2.0dB
Connector	2.92-J(M)/2.92-K(F)				
Dimension	Φ15.8×31.4mm				
Operating Temperature	-55 ~ +125°C (See de Power De-rating)				
Weight	About 30 g				
ROHS Compliant	Yes				

### Outline Drawing (Unit: mm/inch):

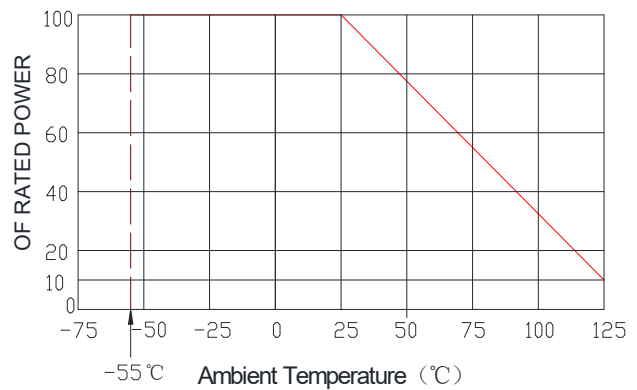




**Naming rules:**



**Power De-rating:**



**Use attention:**

- 1、 Dimensions Tolerance  $\pm 3\%$ ;
- 2、 If necessary, the product shall be air-cooled for auxiliary heat dissipation ;
- 3、 Custom designs available of other special coaxial fixed attenuator ;
- 4、 Pay attention to the direction of the product during use and strictly prohibit reverse connection.