

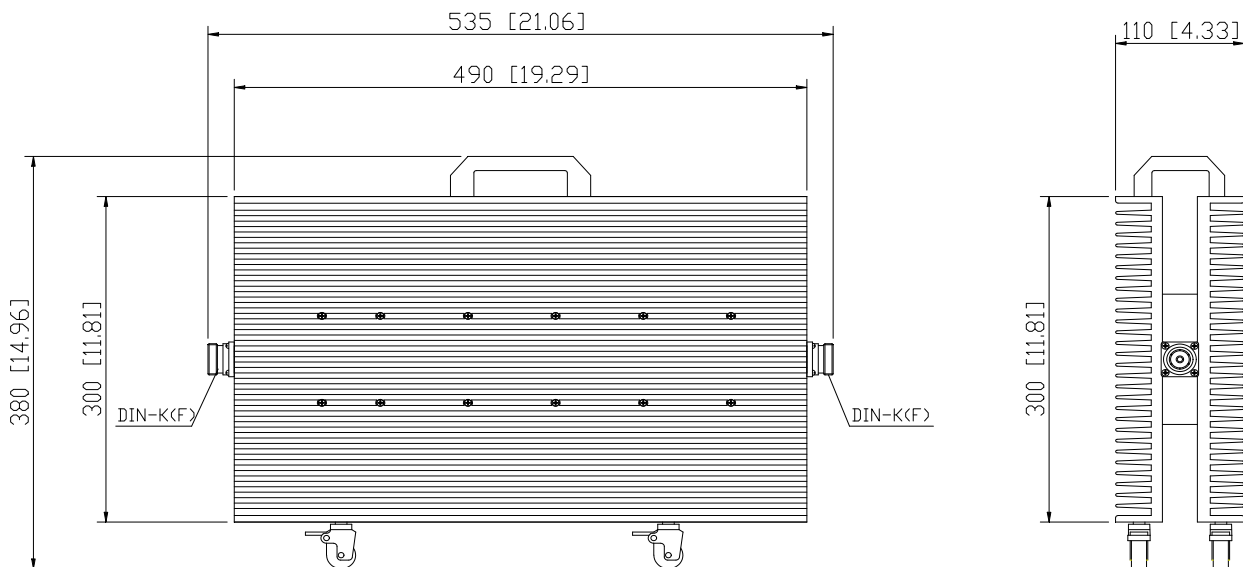


Coaxial Fixed Attenuator

Features and Electrical specifications:

Model	RFTXX-1000FF3849-DINK-3	(XX=Attenuator Value)
Frequency Range	DC~3.0GHz	
VSWR	1.35Max	
Power	1000 W	
Impedance	50 Ω	
Attenuation	20dB	30、40、50dB
Attenuation Tolerance	±3.5dB	±3.0dB
Connector	DIN-K(F)/ DIN-K(F)	
Dimension	110×380x535mm	
Operating Temperature	-55 ~ +125°C (See de Power De-rating)	
Weight	About 17.6 Kg	
ROHS Compliant	Yes	

Outline Drawing (Unit: mm/inch):



RFTYT Technology Co., LTD.

<http://www.rfyt.com>

E-mail: Jackson@rfyt.com zqc7708@rfyt.com

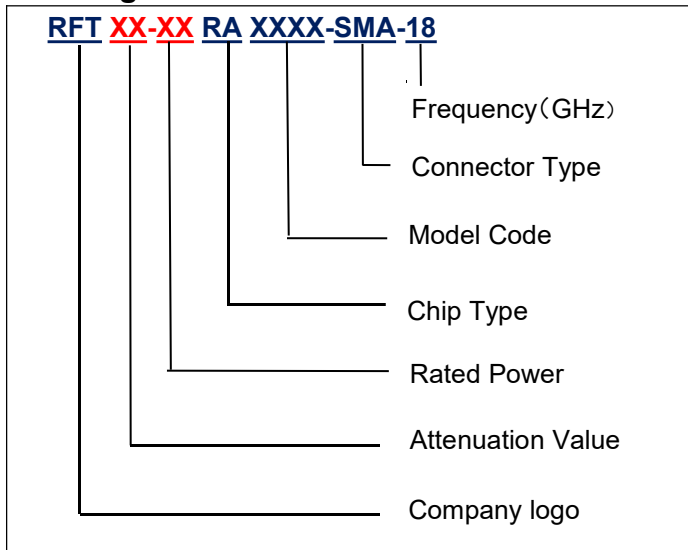
TEL: +86-13088268828 FAX: +86-816-2846565

218# Wenwu Middle Road, Jinkai District, Mianyang, Sichuan Province China

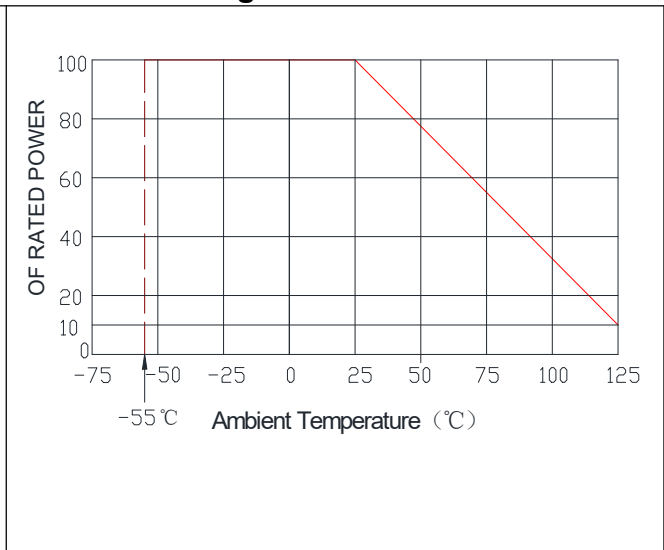
Ready For Tackling Your Trouble



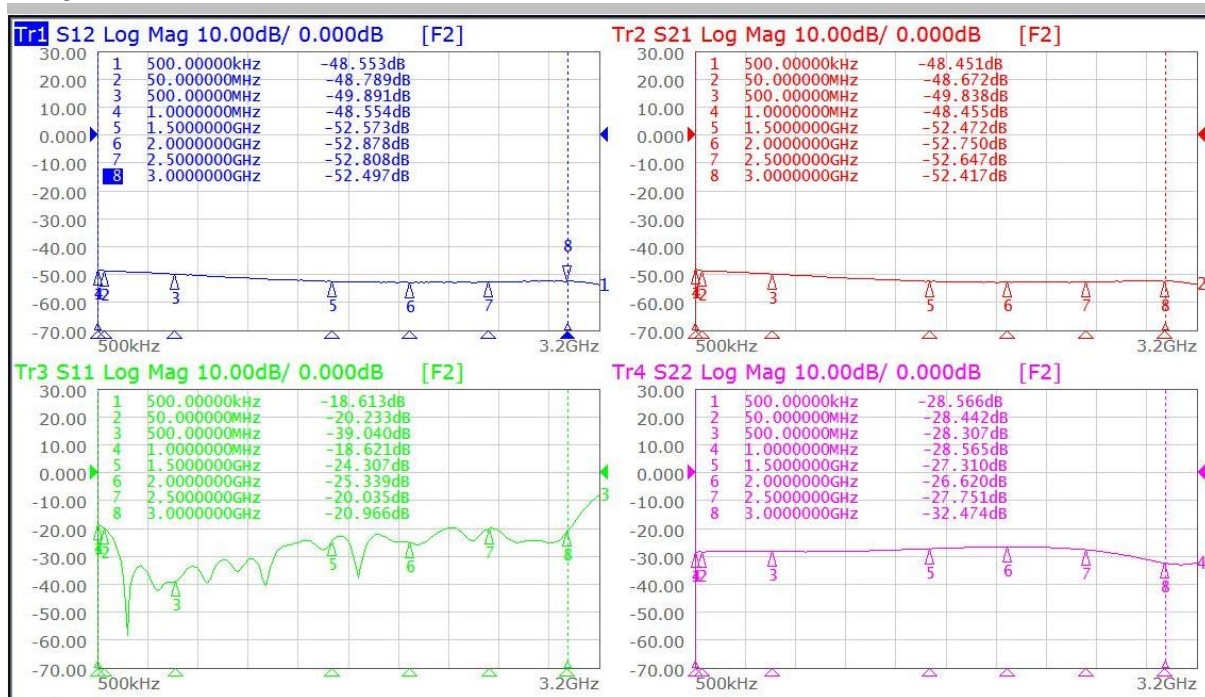
Naming rules:



Power De-rating:



Graph:



Use attention:

- 1、 Dimensions Tolerance $\pm 3\%$;
- 2、 If necessary, the product shall be air-cooled for auxiliary heat dissipation;
- 3、 Custom designs available of other special coaxial fixed attenuator;
- 4、 Pay attention to the direction of the product during use and strictly prohibit reverse connection.