

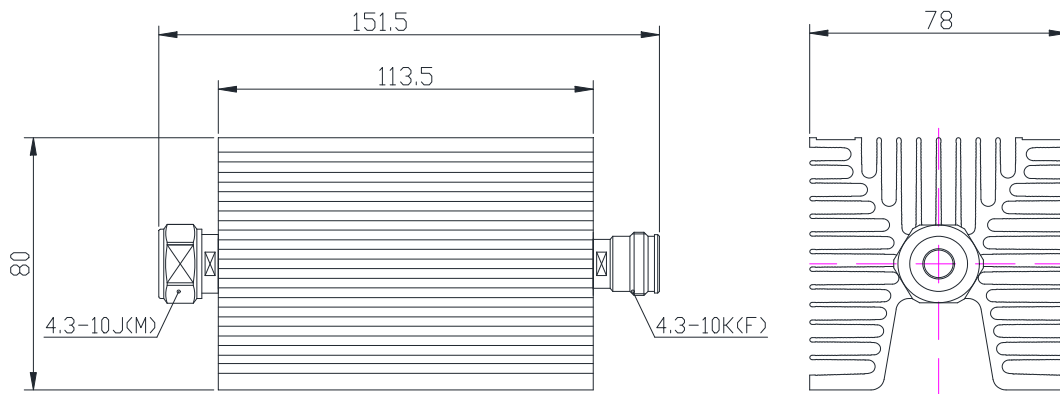


## Coaxial Fixed Attenuator

### Features and Electrical specifications:

|                       |  |         |         |            |
|-----------------------|--|---------|---------|------------|
| Model                 | RFTXX-100FA8011-4310-6 (XX=Attenuator Value) |         |         |            |
| Frequency Range       | DC~6.0GHz                                    |         |         |            |
| VSWR                  | 1.30Max                                      |         |         |            |
| Power                 | 100 W  |         |         |            |
| Impedance             | 50 Ω   |         |         |            |
| Attenuation           | 01-10dB                                      | 11-20dB | 21-30dB | 40、50、60dB |
| Attenuation Tolerance | ±0.8dB                                       | ±1.0dB  | ±1.0dB  | ±1.2dB     |
| Connector             | 4.3-10-J(M)/4.3-10-K(F)                      |         |         |            |
| Dimension             | 78×80×151.5mm                                |         |         |            |
| Operating Temperature | -55 ~ +125°C (See de Power De-rating)        |         |         |            |
| Weight                | About 895 g                                  |         |         |            |
| ROHS Compliant        | Yes  |         |         |            |

### Outline Drawing (Unit: mm/inch):



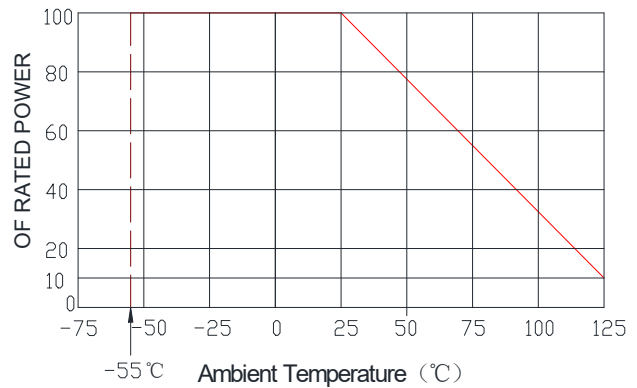
The connector could be SMA, DIN, N MM or FF ,  
or any two can be freely mixed and matched



**Naming rules:**



**Power De-rating:**



**Use attention:**

- 1、 Dimensions Tolerance  $\pm 3\%$ ;
- 2、 If necessary, the product shall be air-cooled for auxiliary heat dissipation ;
- 3、 Custom designs available of other special coaxial fixed attenuator ;
- 4、 Pay attention to the direction of the product during use and strictly prohibit reverse connection.