

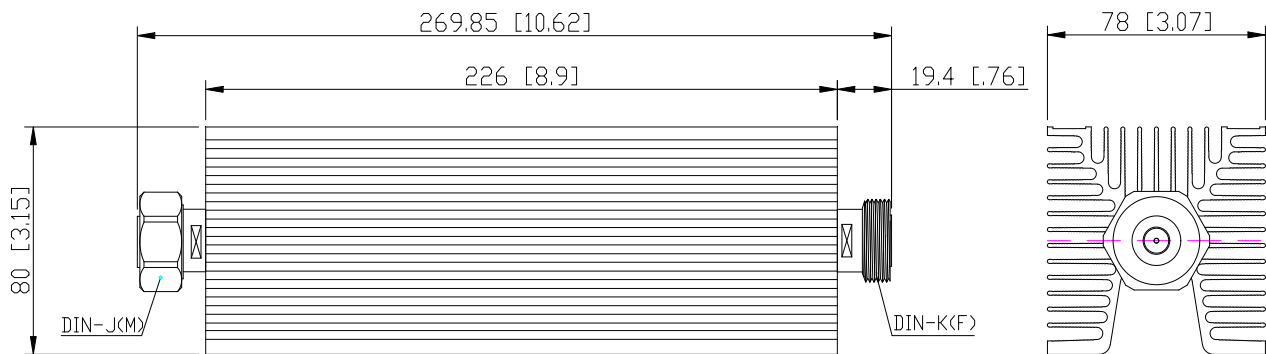
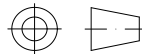


Coaxial Fixed Attenuator

Features and Electrical specifications:

| | | | | |
|-----------------------|---|---------|---------|---------|
| Model | RFTXX-200FA8022-DIN-6 (XX=Attenuator Value) | | | |
| Frequency Range | DC~6.0GHz | | | |
| VSWR | 1.30Max | | | |
| Power | 200 W | | | |
| Impedance | 50 Ω | | | |
| Attenuation | 01-10dB | 11-20dB | 21-30dB | 40、50dB |
| Attenuation Tolerance | ±0.8dB | ±0.8dB | ±1.0dB | ±1.3dB |
| Connector | DIN-J(M)/DIN-K(F) | | | |
| Dimension | 78×80×269.85mm | | | |
| Operating Temperature | -55 ~ +125°C (See de Power De-rating) | | | |
| Weight | About 1.85 Kg | | | |
| ROHS Compliant | Yes | | | |

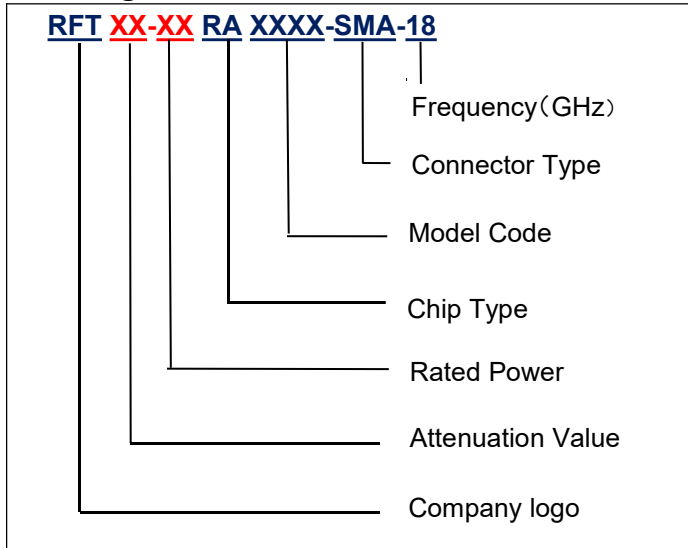
Outline Drawing (Unit: mm/inch):



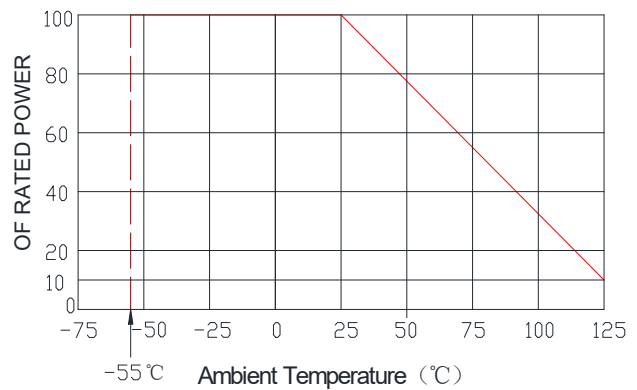
The connector could be SMA,4.3-10, DIN, N MM or FF ,
or any two can be freely mixed and matched



Naming rules:



Power De-rating:



Use attention:

- 1、 Dimensions Tolerance $\pm 3\%$;
- 2、 If necessary, the product shall be air-cooled for auxiliary heat dissipation ;
- 3、 Custom designs available of other special coaxial fixed attenuator ;
- 4、 Pay attention to the direction of the product during use and strictly prohibit reverse connection.