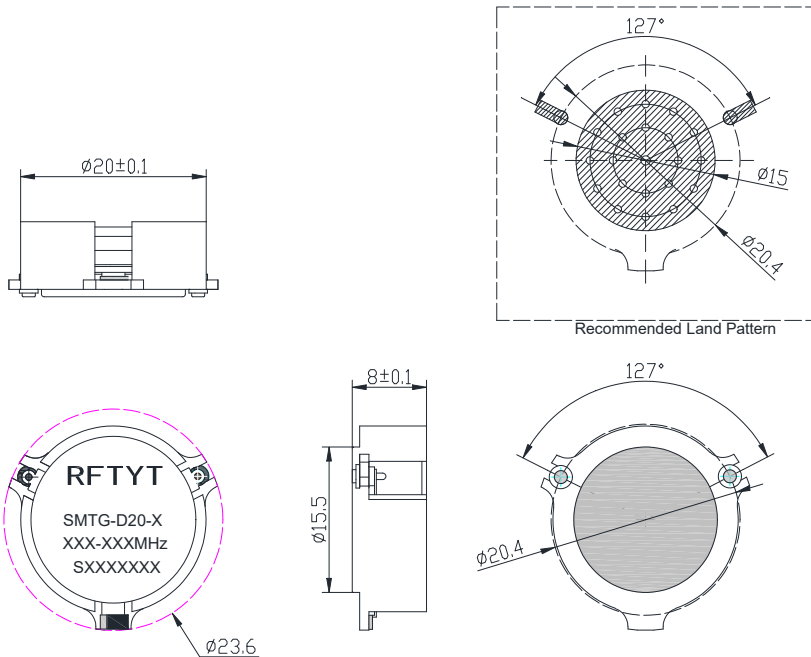


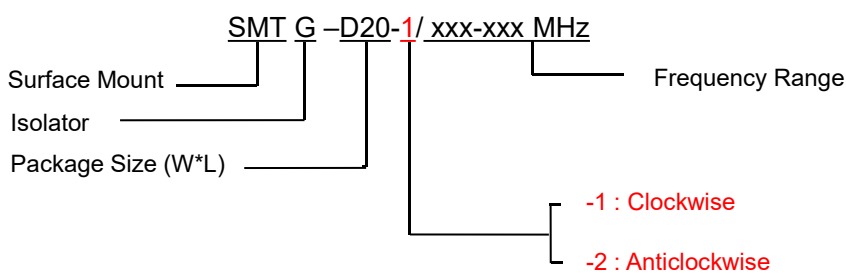
## 700 to 3000MHz Surface Mount Isolator

### SMTG-D20 SMT Type

#### Outline Drawing (mm):



#### Order Examples:



#### Basic Specifications:

Impedance	50 Ω
Size(mm)	Φ20.0*8.0
Operating Temp	-40~+85℃
Storage temperature	-50~+90 ℃
ConnectorType	SMT

#### Features:

- ◇ Good temperature stability
- ◇ WiTGstand high power
- ◇ RoHS compliant
- ◇ Weight : ≈ g

#### Material list:

- ◇ Shell: industrial pure iron silvered
- ◇ Inner conductor: silver plated brass
- ◇ Electrical resistance: Beryllium oxide or aluminum nitride

#### Application:

- ◇ Rf amplifier final stage, protect TGe amplifier
- ◇ Digital communication
- ◇ Satellite communication
- ◇ Mobile communication

### Specifications:

Model No. (X=1: →Clockwise) (X=2: ←Anticlockwise)	Freq. Range MHz	IL. dB (max)	Isolation dB (min)	VSWR	Forward Power CW	Reverse Power W
SMTG-D20-X/758-803MHz	758-803	0.4	20	1.25	60	10
SMTG-D20-X/900-930MHz	900-930	0.4	23	1.20	100	10
SMTG-D20-X/925-960MHz	920-960	0.4	20	1.25	100	10
SMTG-D20-X/1017-1103MHz	1017-1103	0.4	20	1.25	100	10
SMTG-D20-X/1200-1400MHz	1200-1400	0.4	20	1.25	100	10
SMTG-D20-X/1400-1500MHz	1400-1500	0.3	23	1.20	100	10
SMTG-D20-X/1600-2000MHz	1600-2000	0.6	17	1.35	100	10
SMTG-D20-X/1830-2650MHz	1830-2650	0.6	13	1.58	100	10
SMTG-D20-X/2110-2155MHz	2110-2155	0.3	23	1.20	60	10
SMTG-D20-X/2400-2500MHz	2400-2155	0.3	23	1.20	100	10
SMTG-D20-X/2500-2630MHz	2500-2630	0.4	20	1.25	60	10

### Instructions:

- 1, When TGe surface attachment isolator adopts reflow welding process, TGe maximum temperature does not exceed 260 degrees;
- 2, TGe reflected power is only 10W, if you need more can use TGe way of circulator plus resistance;
- 3, Only some common frequencies in TGe table, can be produced according to TGe user's requirements;
- 4, If you do not find what you are looking for, please contact us!