

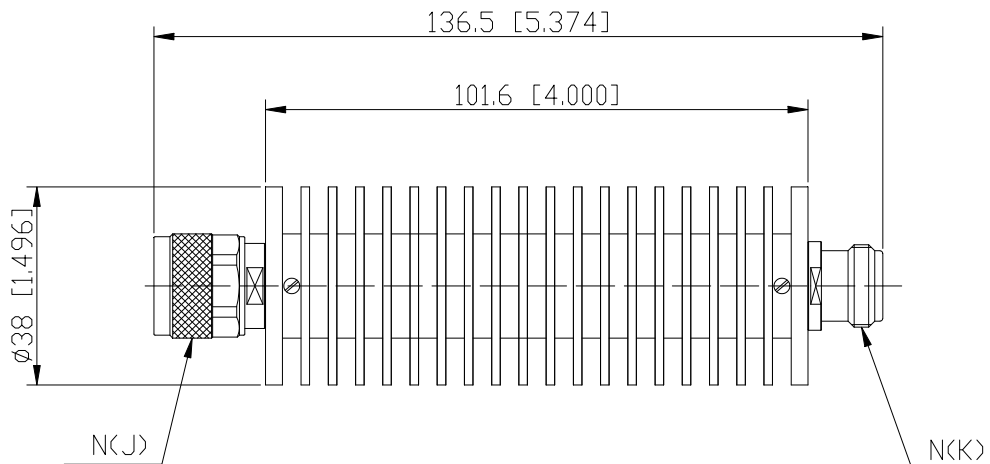


Coaxial Fixed Attenuator

Features and Electrical specifications:

Model	RFTXX-50RA3810-N-18 (XX=Attenuator Value)
Frequency Range	DC~18.0GHz
VSWR	1.40Max
Power	50 W
Impedance	50 Ω
Attenuation	3、6、10、20、30、40dB
Attenuation Tolerance	-1.5dB/+2.5dB
Connector	N-J(M)/N-K(F)
Dimension	$\Phi 38 \times 136.5$ mm
Operating Temperature	-55 ~ +125°C (See de Power De-rating)
Weight	About 220 g
ROHS Compliant	Yes

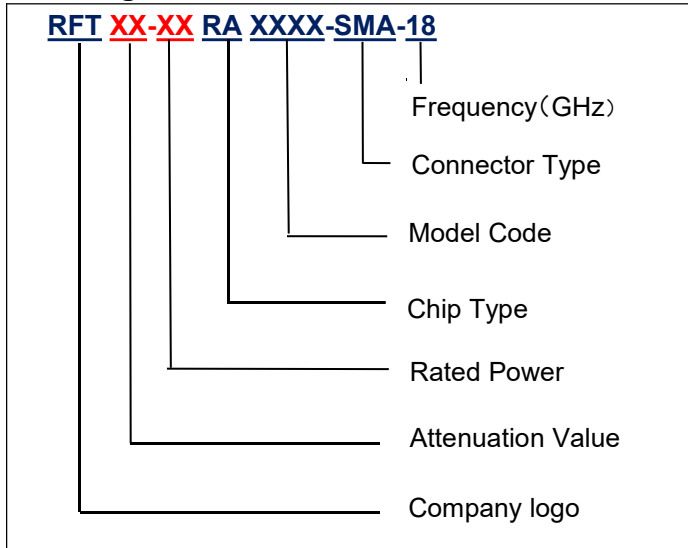
Outline Drawing (Unit: mm/inch):



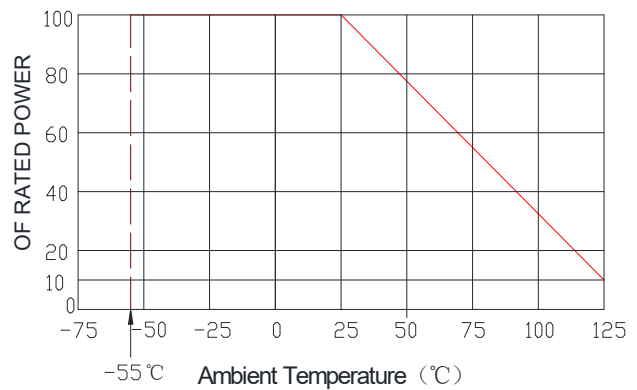
The connector could be SMA, N MM or FF,
or any two can be freely mixed and matched



Naming rules:



Power De-rating:



Use attention:

- 1、 Dimensions Tolerance $\pm 3\%$;
- 2、 If necessary, the product shall be air-cooled for auxiliary heat dissipation ;
- 3、 Custom designs available of other special coaxial fixed attenuator ;
- 4、 Pay attention to the direction of the product during use and strictly prohibit reverse connection.