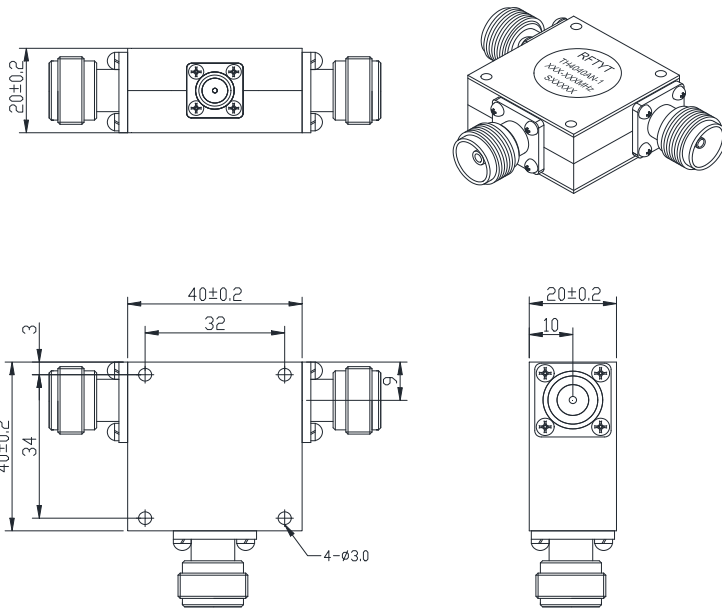
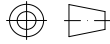


1.5 to 3.5GHz Coaxial Circulator

TH4040AN N Type

Outline Drawing (mm):



Features:

- ◇ Good temperature stability
- ◇ Withstand high power
- ◇ RoHS compliant
- ◇ Weight : \approx 180 g

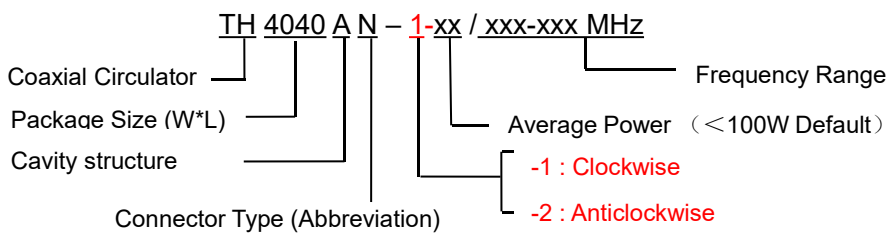
Material list:

- ◇ Cavity:aluminum
conductive oxidation
- ◇ Outer shell: industrial pure iron nickel
plating
- ◇ Guide body: Silver plated brass
- ◇ Connector housing: gold plated brass

Application:

- ◇ Rf amplifier final stage, protect the
amplifier
- ◇ Common transceiver antenna
- ◇ Digital communication
- ◇ Satellite communication
- ◇ Mobile communication

Order Examples:



Connector Type:

SMA Type Connector Options				N Type Connector Options			
Port 1	Port 2	Port 3	Abbreviation	Port 1	Port 2	Port 3	Abbreviation
K	K	K	S	K	K	K	N
K	J	J	SKJJ	K	J	J	NKJJ
J	K	J	SJKJ	J	K	J	NJKJ
K	K	J	SKKJ	K	K	J	NKKJ
J	J	J	SJ	J	J	J	NJ

Basic Specifications :

Impedance	50 Ω
Connector Type	N-K
Size(mm)	40.0*40.0*20.0
Operating Temp	-10~+60℃
Storage temperature	-50~+90 ℃

Specifications :

Model No. (X=1: →Clockwise) (X=2: ←Anticlockwise)	Freq. Range GHz	IL. dB (max)	Isolation dB (min)	VSWR (max)	Power W
TH4040AN-X/1.5-3.0GHz	1.5-3.0	0.7	17.0	1.35	100
TH4040AN-X/1.7-2.7GHz	1.7-2.7	0.6	18.0	1.30	100
TH4040AN-X/1.8-2.7GHz	1.8-2.7	0.6	18.0	1.30	100
TH4040AN-X/1.8-2.8GHz	1.8-2.8	0.5	19.0	1.25	100
TH4040AN-X/1.8-3.0GHz	1.8-3.0	0.5	19.0	1.25	100
TH4040AN-X/2.0-3.0GHz	2.0-3.0	0.5	19.0	1.25	100
TH4040AN-X/2.1-2.7GHz	2.1-2.7	0.4	20.0	1.25	100
TH4040AN-X/1.7-3.5GHz	1.7-3.5	0.7	17.0	1.35	100

Instructions :

- 1, The circulator connector can be selected SMA, N, male and female head can be used with the user;
- 2, The circulator only provides through power, indicating that the transmission to the antenna and the antenna to the receiving are through power;
- 3, Only some common frequencies in the table, can be produced according to the user's requirements;
- 4, If you do not find what you are looking for, please contact us!