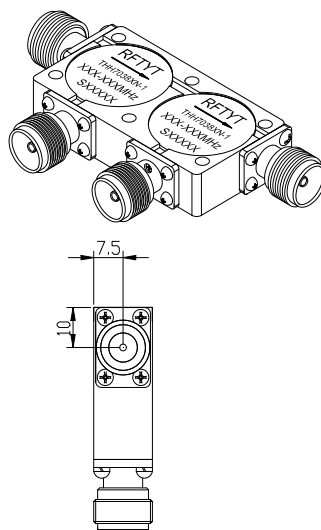
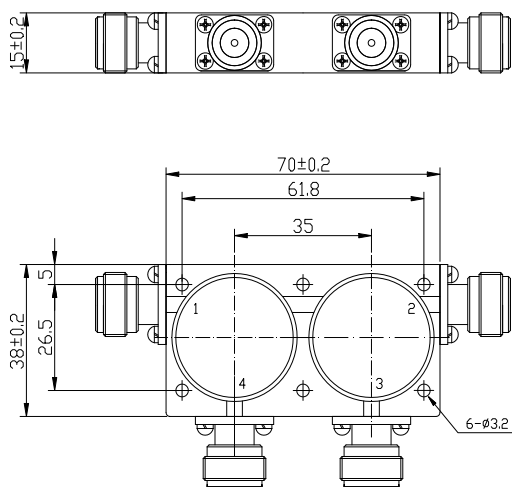


## 400 to 1850MHz Dual Junction Coaxial Circulator

THH7038XN N Type

Outline Drawing (mm): 



### Features:

- ◇ Good temperature stability
- ◇ Withstand high power
- ◇ RoHS compliant
- ◇ Weight : ≈ g

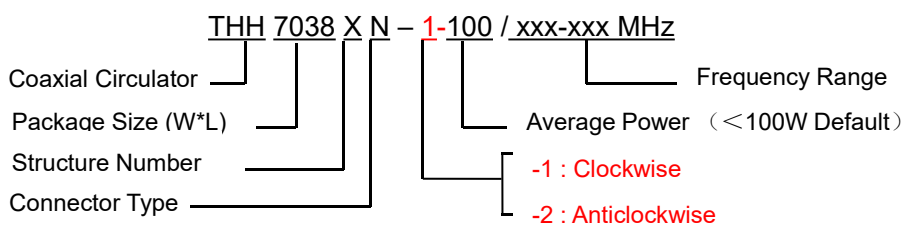
### Material list:

- ◇ Shell: Steel
- Coating: Bright Nickel
- ◇ Inner conductor: Brass
- Coating: Silver

### Application:

- ◇ Protect the power amplifier and  
Installed at the end of RF power amplifier
- ◇ Transceiver common antenna
- ◇ GSM1800/CDMA/TD-SCDMA/WCDMA/EGSM/Wimax/TD-LTE/AMPS/SR 5G and other communication systems

### Order Examples:



### Connector Type:

SMA Type Connector Options					N Type Connector Options				
Port 1	Port 2	Port 3	Port 4	Abbreviation	Port 1	Port 2	Port 3	Port 4	Abbreviation
SMA-F	SMA-F	SMA-F	SMA-F	S	N-F	N-F	N-F	N-F	N
SMA-F	SMA-M	SMA-M	SMA-M	SKJJJ	N-F	N-M	N-M	N-M	NKJJJ
SMA-M	SMA-F	SMA-F	SMA-F	SJKKK	N-M	N-F	N-F	N-F	NJKKK
SMA-F	SMA-F	SMA-M	SMA-M	SKKJJ	N-F	N-F	N-M	N-M	NKKJJ
SMA-M	SMA-M	SMA-M	SMA-M	SJ	N-M	N-M	N-M	N-M	NJ

**Basic Specifications :**

Impedance	50 $\Omega$
Connector Type	N-F
Size(mm)	70.0*38.0*15.0
Operating Temp	-30~+70 $^{\circ}$ C/-40~+85 $^{\circ}$ C
Storage temperature	-50~+90 $^{\circ}$ C

**Specifications :**

<b>Model No.</b> (X=1: →Clockwise) (X=2: ←Anticlockwise)	<b>Freq. Range</b> <b>MHz</b>	<b>IL</b> <b>dB (max)</b>	<b>Isolation</b> <b>dB (min)</b>	<b>VSWR</b> <b>(max)</b>	<b>Forward Power</b> <b>W</b>
THH7038XN-X/400-410MHz	400-410	0.6	46	1.20	300
THH7038XN-X/400-440MHz	400-440	0.8	40	1.25	300
THH7038XN-X/400-450MHz	400-450	0.8	40	1.25	300
THH7038XN-X/400-470MHz	400-470	0.8	40	1.25	300
THH7038XN-X/400-470MHz	400-470	1.0	38	1.25	300
THH7038XN-X/410-460MHz	410-460	0.8	40	1.25	300
THH7038XN-X/413-419MHz	413-419	0.5	50	1.15	300
THH7038XN-X/419-425MHz	419-425	0.5	50	1.15	300
THH7038XN-X/420-450MHz	420-450	0.8	40	1.25	300
THH7038XN-X/420-480MHz	420-480	0.8	40	1.25	300
THH7038XN-X/425-475MHz	425-475	0.8	40	1.25	300
THH7038XN-X/429-439MHz	429-439	0.6	50	1.15	300
THH7038XN-X/430-440MHz	430-440	0.6	46	1.20	300
THH7038XN-X/430-460MHz	430-460	0.8	40	1.25	300
THH7038XN-X/430-470MHz	430-470	0.8	40	1.25	300
THH7038XN-X/433-457MHz	433-457	0.6	46	1.20	300
THH7038XN-X/435-437MHz	435-437	0.6	46	1.20	300
THH7038XN-X/440-470MHz	440-470	0.6	46	1.20	300
THH7038XN-X/447-499MHz	447-499	0.6	46	1.20	300
THH7038XN-X/450-456MHz	450-456	0.5	50	1.15	300
THH7038XN-X/450-500MHz	450-500	0.8	40	1.25	300



THH7038XN-X/450-520MHz	450-520	0.8	40	1.25	300
THH7038XN-X/450-550MHz	450-550	0.8	40	1.25	300
THH7038XN-X/455-465MHz	455-465	0.5	50	1.15	300
THH7038XN-X/459-486MHz	459-486	0.6	46	1.20	300
THH7038XN-X/470-490MHz	470-490	0.6	46	1.20	300
THH7038XN-X/470-530MHz	470-530	0.8	40	1.20	300
THH7038XN-X/470-570MHz	470-570	0.8	40	1.25	300
THH7038XN-X/470-610MHz	470-610	1.0	36	1.30	300
THH7038XN-X/475-525MHz	475-525	0.6	46	1.20	300
THH7038XN-X/495-516MHz	495-516	0.6	46	1.20	300
THH7038XN-X/500-600MHz	500-600	0.8	40	1.20	300
THH7038XN-X/500-700MHz	500-700	1.4	35	1.35	300
THH7038XN-X/570-670MHz	570-670	0.6	46	1.20	300
THH7038XN-X/580-720MHz	580-720	0.8	38	1.25	300
THH7038XN-X/600-700MHz	600-700	0.8	40	1.25	300
THH7038XN-X/600-800MHz	600-800	1.0	36	1.30	300
THH7038XN-X/670-770MHz	670-770	0.6	46	1.20	300
THH7038XN-X/690-860MHz	690-860	0.8	40	1.20	300
THH7038XN-X/700-800MHz	700-800	0.6	46	1.20	300
THH7038XN-X/700-862MHz	700-862	0.8	40	1.25	300
THH7038XN-X/700-900MHz	700-900	1.0	36	1.30	300
THH7038XN-X/703-862MHz	703-862	0.8	40	1.25	300
THH7038XN-X/750-950MHz	750-950	0.8	40	1.25	300
THH7038XN-X/770-860MHz	770-860	0.6	46	1.20	300
THH7038XN-X/800-1000MHz	800-1000	0.8	40	1.25	300
THH7038XN-X/854-921MHz	854-921	0.6	46	1.20	300
THH7038XN-X/860-872MHz	860-872	0.5	50	1.15	300
THH7038XN-X/862-960MHz	862-960	0.6	46	1.20	300
THH7038XN-X/900-930MHz	900-930	0.5	50	1.15	300



THH7038XN-X/900-1000MHz	900-1000	0.6	46	1.20	300
THH7038XN-X/900-1100MHz	900-1100	0.8	40	1.25	300
THH7038XN-X/950-1000MHz	950-1000	0.6	46	1.20	300
THH7038XN-X/950-1250MHz	950-1250	0.8	40	1.25	300
THH7038XN-X/950-1280MHz	950-1280	1.0	40	1.25	300
THH7038XN-X/950-1450MHz	950-1450	1.2	34	1.35	300
THH7038XN-X/955-1220MHz	955-1220	0.8	40	1.25	300
THH7038XN-X/960-1160MHz	960-1160	0.8	40	1.25	300
THH7038XN-X/960-1215MHz	960-1215	0.8	40	1.25	300
THH7038XN-X/960-1260MHz	960-1260	0.8	40	1.25	300
THH7038XN-X/1000-1100MHz	1000-1100	0.6	46	1.20	300
THH7038XN-X/1000-1500MHz	1000-1500	1.2	34	1.35	300
THH7038XN-X/1015-1045MHz	1015-1045	0.5	46	1.15	300
THH7038XN-X/1020-1040MHz	1020-1040	0.5	50	1.15	300
THH7038XN-X/1020-1100MHz	1020-1100	0.5	46	1.20	300
THH7038XN-X/1022-1540MHz	1022-1540	1.2	34	1.35	300
THH7038XN-X/1030-1039MHz	1030-1039	0.4	50	1.15	300
THH7038XN-X/1030-1090MHz	1030-1090	0.5	46	1.20	300
THH7038XN-X/1100-1600MHz	1100-1600	1.0	34	1.35	300
THH7038XN-X/1100-1650MHz	1100-1650	1.2	34	1.35	300
THH7038XN-X/1100-1699MHz	1100-1699	1.2	32	1.40	300
THH7038XN-X/1160-1610MHz	1160-1610	1.0	36	1.30	300
THH7038XN-X/1200-1400MHz	1200-1400	0.6	40	1.25	300
THH7038XN-X/1200-1500MHz	1200-1500	0.8	40	1.25	300
THH7038XN-X/1285-1315MHz	1285-1315	0.4	46	1.20	300
THH7038XN-X/1290-1310MHz	1290-1310	0.4	50	1.15	300
THH7038XN-X/1300-1700MHz	1300-1700	0.8	40	1.20	300
THH7038XN-X/1350-1850MHz	1350-1850	1.0	38	1.25	300

**If the frequency range you need is not covered in the form.  
Please contact us for details.**