

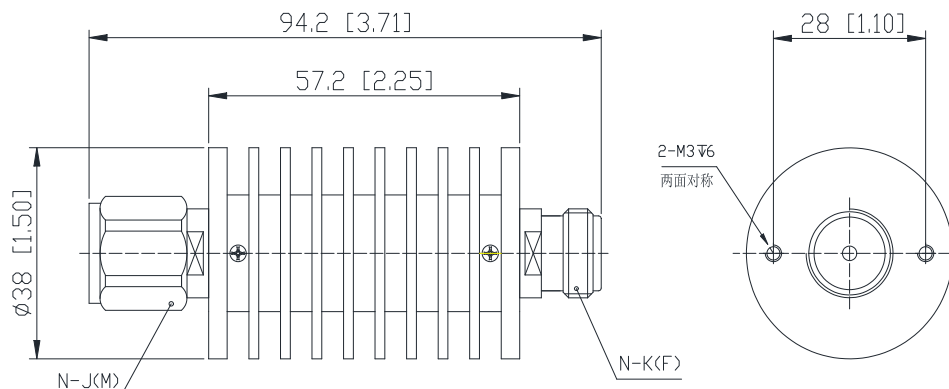


## Coaxial Fixed Attenuator

### Features and Electrical specifications:

Model	RFTXX-30RA3857-N-8 (XX=Attenuator Value)				
Frequency Range	DC~8.0GHz				
VSWR	1.25Max				
Power	30 W				
Impedance	50 $\Omega$				
Attenuation	01-10dB	11-20dB	21-30dB	40dB	50、60dB
Attenuation Tolerance	$\pm 0.8$ dB	$\pm 1.0$ dB	$\pm 1.2$ dB	$\pm 1.2$ dB	$\pm 1.2$ dB
Connector	N-J(M)/N-K(F)				
Dimension	$\Phi 38 \times 94.2$ mm				
Operating Temperature	$-55 \sim +125^{\circ}\text{C}$ (See de Power De-rating)				
Weight	About 160 g				
ROHS Compliant	Yes				

### Outline Drawing (Unit: mm/inch):



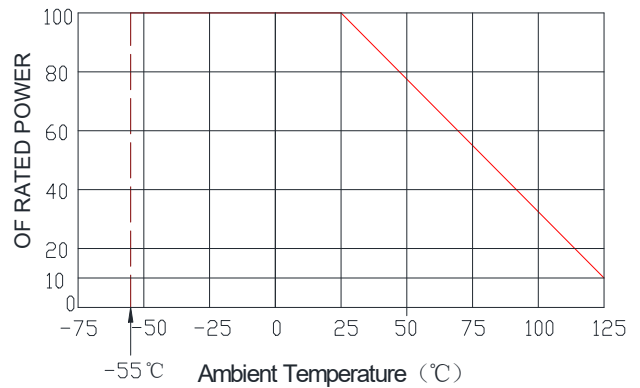
The connector could be N, SMA MM or FF ,  
or any two can be freely mixed and matched



**Naming rules:**



**Power De-rating:**



**Use attention:**

- 1、 Dimensions Tolerance  $\pm 3\%$ ;
- 2、 If necessary, the product shall be air-cooled for auxiliary heat dissipation ;
- 3、 Custom designs available of other special coaxial fixed attenuator ;
- 4、 Pay attention to the direction of the product during use and strictly prohibit reverse connection.