

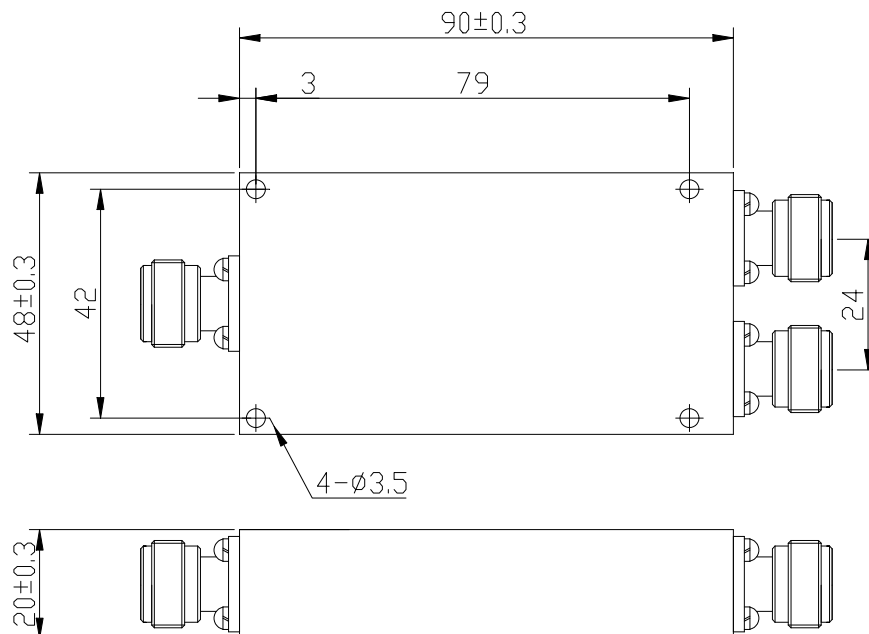
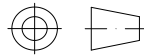


## 2 Way Power Divider

### Features and Electrical specifications:

|                       |                                           |                   |  |
|-----------------------|-------------------------------------------|-------------------|--|
| Model                 | PD02-F4890-N/350-2700MHz                  |                   |  |
| Frequency Range       | 350-2700 MHz                              |                   |  |
| Insertion Loss        | ≤ 1.5dB (Excluding 3.0dB separation loss) |                   |  |
| Isolation             | 18 dB Min                                 |                   |  |
| VSWR                  | 1.25 Max Input                            | 1.25 Max Output   |  |
| Amplitude Balance     | ±0.3dB                                    |                   |  |
| Phase Balance         | ± 3°                                      |                   |  |
| Rated Power           | 50 W Forward Power                        | 2 W Reverse Power |  |
| Impedance             | 50 Ω                                      |                   |  |
| Connector Type        | N-F                                       |                   |  |
| Dimension             | 90.0X48.0X20.0 mm                         |                   |  |
| Operating Temperature | -40 ~ +80°C                               |                   |  |
| Storage Temperature   | -45~ +85°C                                |                   |  |
| ROHS Compliant        | Yes                                       |                   |  |

### Outline Drawing (Unit: mm):



**RFTYT Technology Co., LTD.**

<http://www.rftyt.com>

E-mail : [jackson@rftyt.com](mailto:jackson@rftyt.com)      [zqc7708@rftyt.com](mailto:zqc7708@rftyt.com)

TEL: +86-13088268828      FAX: +86-816-2846565

218# Wenwu Middle Road, Jinkai District, Mianyang, Sichuan Province China

**Ready For Tackling Your Trouble**