

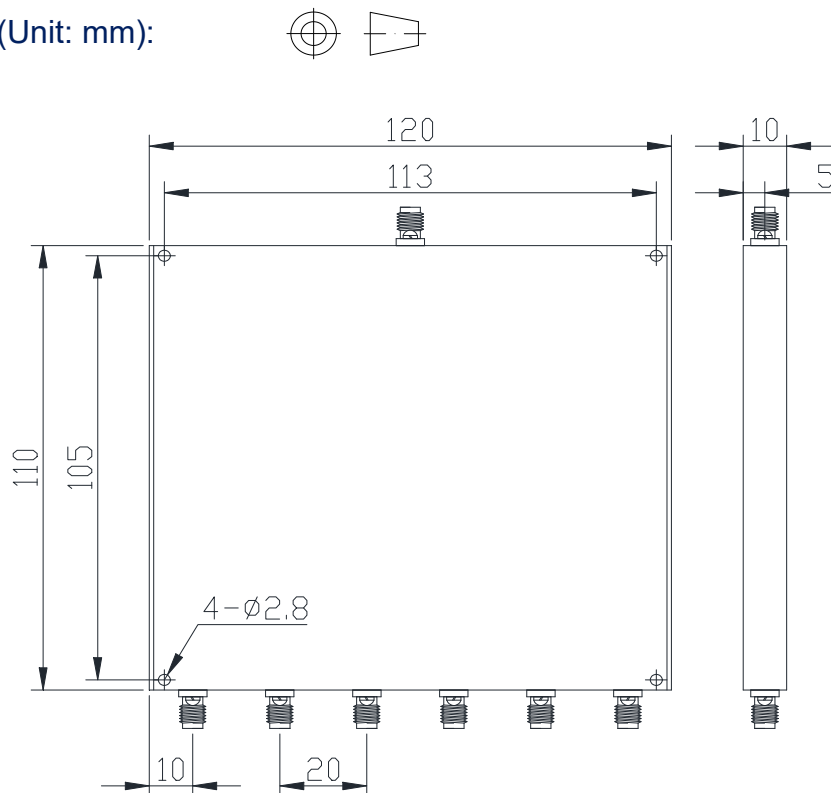


## 6 Way Power Divider

### Features and Electrical specifications:

Model	PD06-F1211-S/700-3000MHz	
Frequency Range	700-3000 MHz	
Insertion Loss	≤1.6dB	
Isolation	20 dB Min	
VSWR	Input: 1.60 Max	Output: 1.40 Max
Amplitude Unbalance	±0.1 dB	
Phase Unbalance	± 10°	
Rated Power	Forward Power: 30 W	Reverse Power: 2 W
Impedance	50 Ω	
Connector Type	SMA-F	
Dimension	120.0X110.0X10.0 mm	
Surface Finishing	Grey Painting	
Operating Temperature	-55 ~ +100°C	
ROHS Compliant	Yes	

### Outline Drawing (Unit: mm):



RFTYT Technology Co., LTD.

<http://www.rfyt.com>

E-mail : [jackson@rfyt.com](mailto:jackson@rfyt.com)      [zqc7708@rfyt.com](mailto:zqc7708@rfyt.com)

TEL: +86-13088268828      FAX: +86-816-2846565

218# Wenwu Middle Road, Jinkai District, Mianyang, Sichuan Province China

Ready For Tackling Your Trouble