

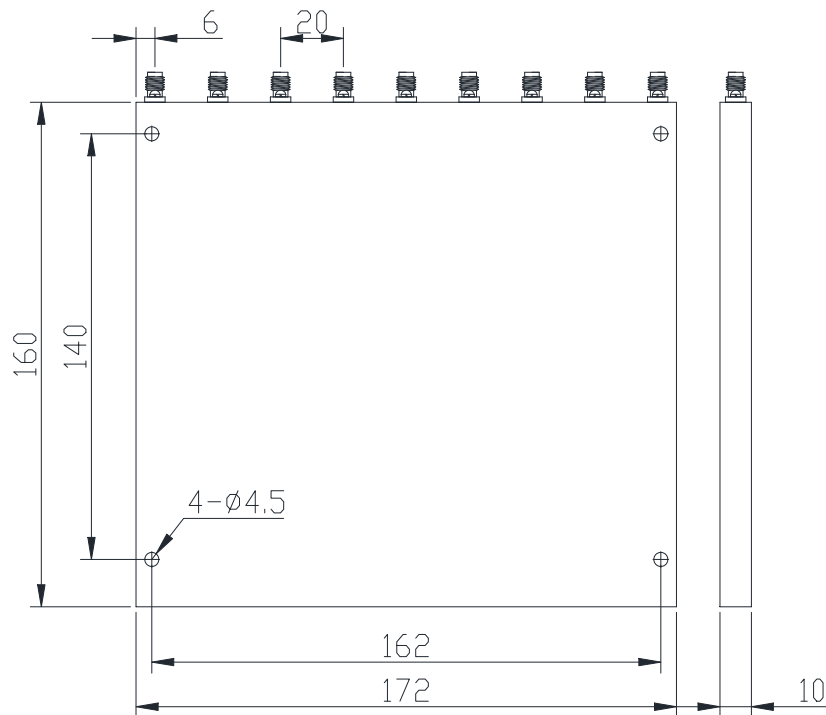
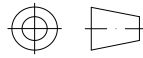


8 Way Power Divider

Features and Electrical specifications:

Model	PD08-F1716-S/0.5-18GHz	
Frequency Range	0.5-18 GHz	
Insertion Loss	≤6.0dB	
Isolation	13 dB Min	
VSWR	Input: 2.00 Max	Output: 1.70 Max
Amplitude Unbalance	±0.5 dB	
Phase Unbalance	± 12°	
Rated Power	Forward Power: 30 W	Reverse Power: 1 W
Impedance	50 Ω	
Connector Type	SMA-F	
Dimension	172.0X160.0X10.0 mm	
Surface Finishing	Grey Painting	
Operating Temperature	-45 ~ +85°C	
ROHS Compliant	Yes	

Outline Drawing (Unit: mm):



RFTYT Technology Co., LTD.

<http://www.rftyt.com>

E-mail : jackson@rftyt.com zqc7708@rftyt.com

TEL: +86-13088268828 FAX: +86-816-2846565

218# Wenwu Middle Road, Jinkai District, Mianyang, Sichuan Province China

Ready For Tackling Your Trouble