

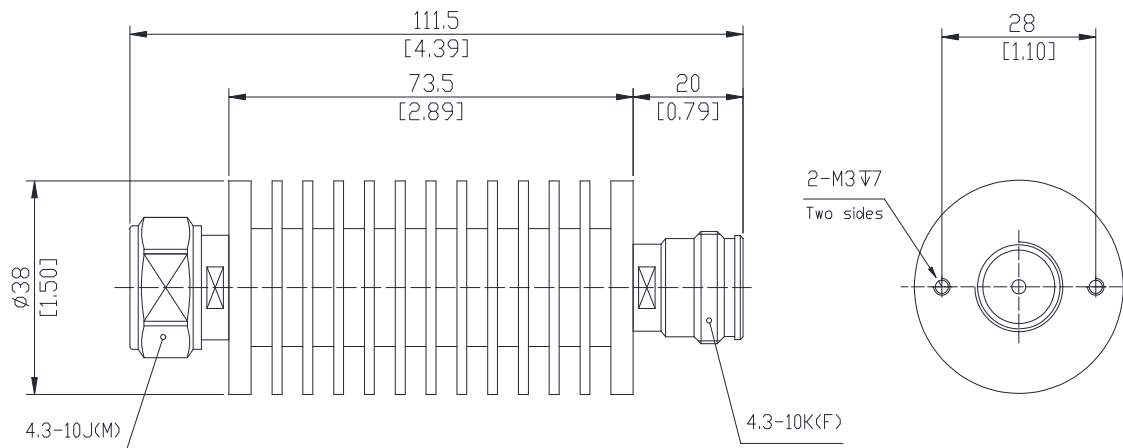


## Coaxial Fixed Attenuator

### Features and Electrical specifications:

Model	RFTXX-50RA3873-4310-6 (XX=Attenuator Value)			
Frequency Range	DC~6.0GHz			
VSWR	1.30Max			
Power	50 W			
Impedance	50 Ω			
Attenuation	01-10dB	11-20dB	21-30dB	31-40dB
Attenuation Tolerance	±0.6dB	±0.8dB	±1.0dB	±1.2dB
Connector	4.3-10-J(M)/4.3-10-K(F)			
Dimension	Φ38×111.5mm			
Operating Temperature	-55 ~ +125°C (See de Power De-rating)			
Weight	About 200 g			
ROHS Compliant	Yes			

### Outline Drawing (Unit: mm/inch):



The connector could be SMA, 4.3-10, DIN MM or FF ,  
or any two can be freely mixed and matched

**RFTYT Technology Co., LTD.**

<http://www.rftyt.com>

E-mail: Jackson@rftyt.com      zqc7708@rftyt.com

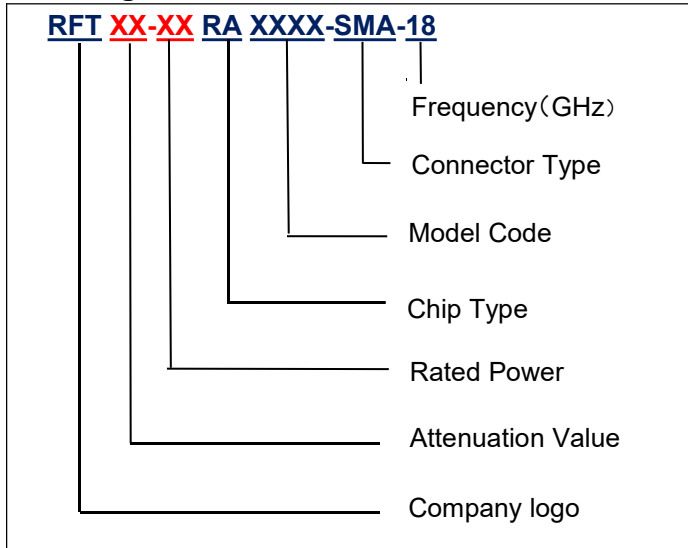
TEL: +86-13088268828      FAX: +86-816-2846565

218# Wenwu Middle Road, Jinkai District, Mianyang, Sichuan Province China

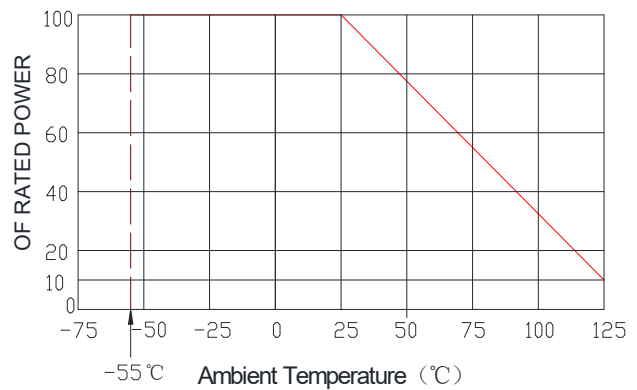
**Ready For Tackling Your Trouble**



**Naming rules:**



**Power De-rating:**



**Use attention:**

- 1、Dimensions Tolerance  $\pm 3\%$ ;
- 2、If necessary, the product shall be air-cooled for auxiliary heat dissipation;
- 3、Custom designs available of other special coaxial fixed attenuator;
- 4、Pay attention to the direction of the product during use and strictly prohibit reverse connection.