

900 to 2600MHz Surface Mount Isolator

SMTG-D18 SMT Type

Outline Drawing (mm): 



Features:

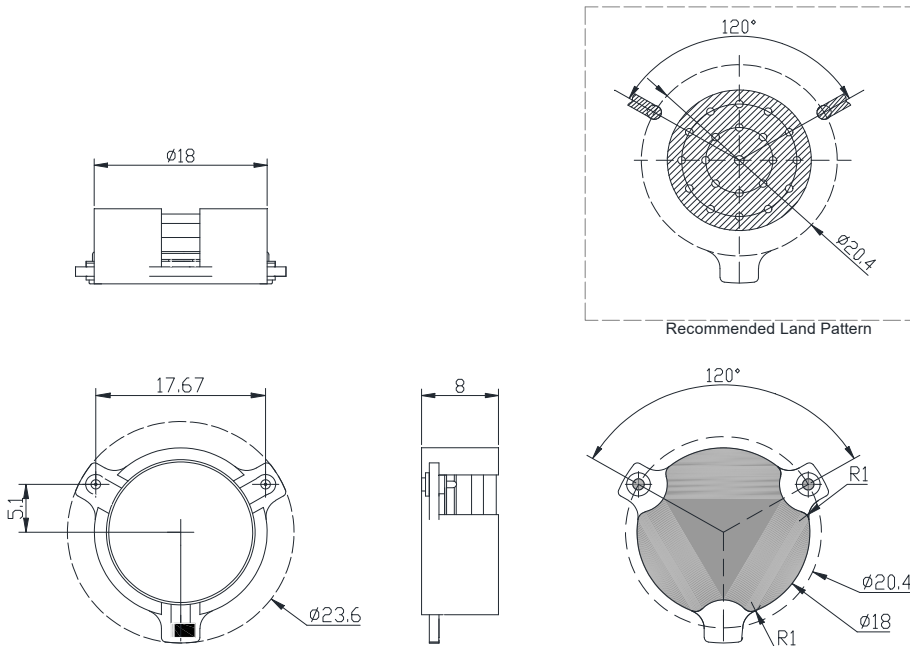
- ◇ Good temperature stability
- ◇ WiTGstand high power
- ◇ RoHS compliant
- ◇ Weight : ≈15 g

Material list:

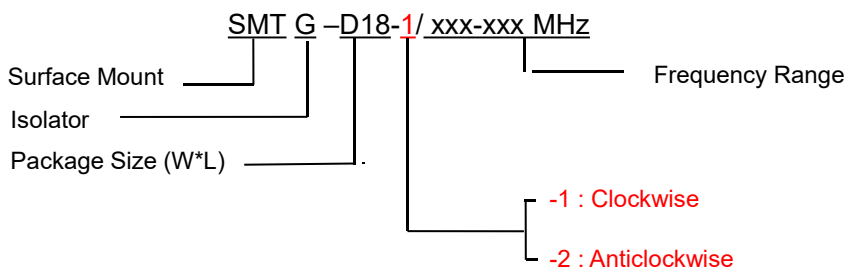
- ◇ Shell: industrial pure iron silvered
- ◇ Inner conductor: silver plated brass
- ◇ Electrical resistance: Beryllium oxide or aluminum nitride

Application:

- ◇ Rf amplifier final stage, protect TGe amplifier
- ◇ Digital communication
- ◇ Satellite communication
- ◇ Mobile communication



Order Examples:



Basic Specifications:

Impedance	50 Ω
Size(mm)	Φ18.0*8.0
Operating Temp	-40~+85℃
Storage temperature	-50~+90 ℃
ConnectorType	SMT

Specifications:

Model No. (X=1: →Clockwise) (X=2: ←Anticlockwise)	Freq. Range MHz	IL. dB (max)	Isolation dB (min)	VSWR	Forward Power CW	Reverse Power W
SMTG-D18-X/1400-1500MHz	1400-1500	0.35	23	1.2	100	10
SMTG-D18-X/1400-1530MHz	1400-1530	0.35	20	1.25	100	10
SMTG-D18-X/2100-2200MHz	2100-2200	0.25	23	1.2	100	10
SMTG-D18-X/2110-2170MHz	2110-2170	0.30	23	1.2	100	10
SMTG-D18-X/2555-2655MHz	2555-2655	0.25	23	1.2	100	10
SMTG-D18-X/2570-2620MHz	2570-2620	0.5	18	1.3	100	10

Instructions:

- 1, When TGe surface attachment isolator adopts reflow welding process, TGe maximum temperature does not exceed 260 degrees;
- 2, TGe reflected power is only 10W, if you need more can use TGe way of circulator plus resistance;
- 3, Only some common frequencies in TGe table, can be produced according to TGe user's requirements;
- 4, If you do not find what you are looking for, please contact us!