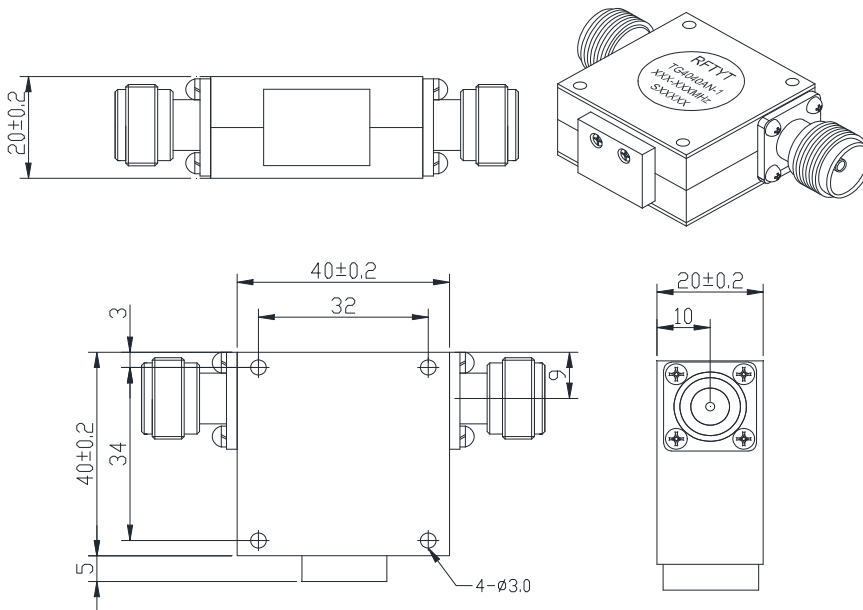


## 1.5 to 2.7GHz Coaxial Isolator

### TG4040AN N Type

#### Outline Drawing (mm):



#### Features:

- ◇ Good temperature stability
- ◇ Withstand high power
- ◇ RoHS compliant
- ◇ Weight :  $\approx 180$  g

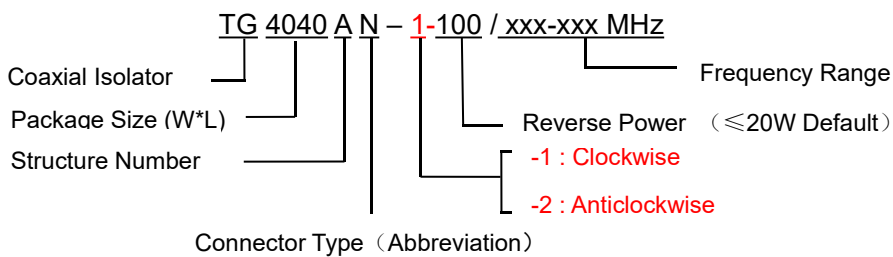
#### Material list:

- ◇ Cavity: aluminum conductive oxidation
- ◇ Outer shell: industrial pure iron nickel plating
- ◇ Guide body: Silver plated brass
- ◇ Load chamber: aluminum conductive oxidation

#### Application:

- ◇ Rf amplifier final stage, protect the amplifier
- ◇ Digital communication
- ◇ Satellite communication
- ◇ Mobile communication

#### Order Examples:



#### Connector Type:

SMA Type Connector Options			N Type Connector Options		
Port 1	Port 2	Abbreviation	Port 1	Port 2	Abbreviation
SMA-K	SMA-K	S	N-K	N-K	N
SMA-K	SMA-J	SKJ	N-J	N-K	NJK
SMA-J	SMA-K	SJK	N-K	N-J	NKJ
SMA-J	SMA-J	SJ	N-J	N-J	NJ

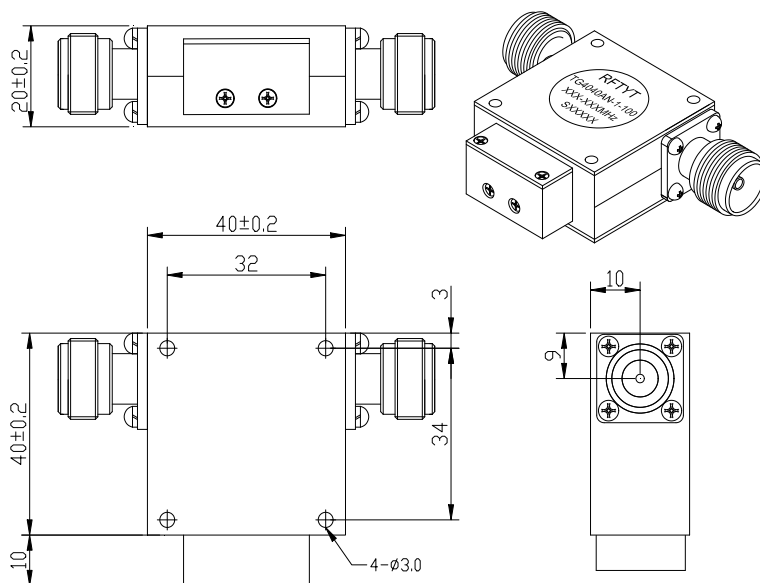
### Basic Specifications :

Impedance	50 $\Omega$
Connector Type	N-K
Size(mm)	40.0*40.0*20.0
Operating Temp	-10~+60 $^{\circ}\text{C}$
Storage temperature	-50~+90 $^{\circ}\text{C}$

### Specifications :

Model No. (X=1: $\rightarrow$ Clockwise) (X=2: $\leftarrow$ Anticlockwise)	Freq. Range GHz	IL. dB (max)	Isolation dB (min)	VSWR	Forward Power CW	Reverse Power W
TG4040AN-X/1500-3000MHz	1.5-3.0	0.70	17.0	1.35	100	20/100

Reflected power 100W size diagram



The reflected power of this figure is 100W, the indicators are the same as the table, model  
TG4040AN-X-100/XXX-XXXMHz

### Instructions:

- 1, The isolator connector can be selected SMA, N, male and female head can be used with the user;
- 2, The reflection power is commonly used 20W and 100W options, you can also configure the total reflection power according to user requirements;
- 3, Only some common frequencies in the table, can be produced according to the user's requirements;
- 4, If you do not find what you are looking for, please contact us!