

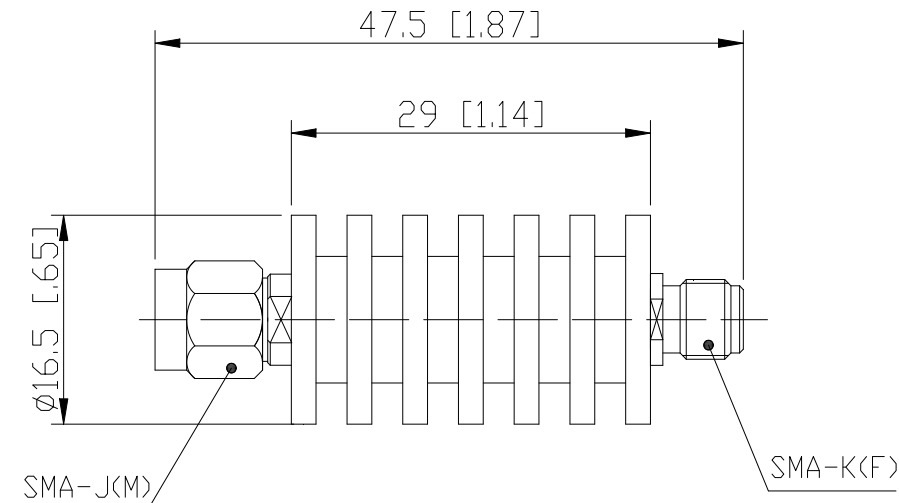


Coaxial Fixed Attenuator

Features and Electrical specifications:

Model	RFTXX-10RA1629-SMA-6 (XX=Attenuator Value)		
Frequency Range	DC~6.0GHz		
VSWR	1.20 Max		
Power	10 W		
Impedance	50 Ω		
Attenuation	01-10dB	11-20dB	21-30、40dB
Attenuation Tolerance	±0.6dB	±0.8dB	±1.0dB
Connector	SMA-J(M)/SMA-K(F)		
Dimension	Φ16.5×47.5mm		
Operating Temperature	-55 ~ +125°C (See de Power De-rating)		
Weight	About 10 g		
ROHS Compliant	Yes		

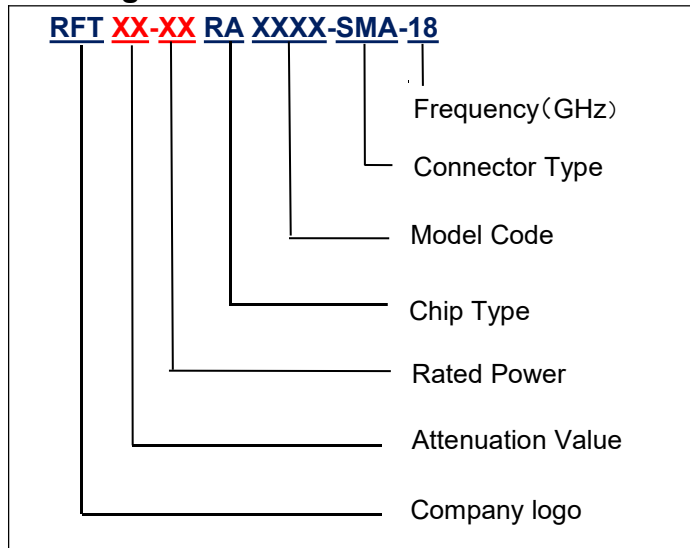
Outline Drawing (Unit: mm/inch):



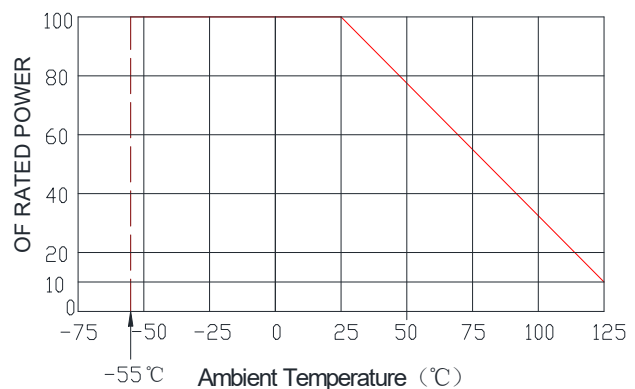
The connector could be changed to SMA-M to SMA-M or SMA-F to SMA-F



Naming rules:



Power De-rating:



Use attention:

- 1、Dimensions Tolerance $\pm 3\%$;
- 2、If necessary, the product shall be air-cooled for auxiliary heat dissipation;
- 3、Custom designs available of other special coaxial fixed attenuator;
- 4、Pay attention to the direction of the product during use and strictly prohibit reverse connection.