

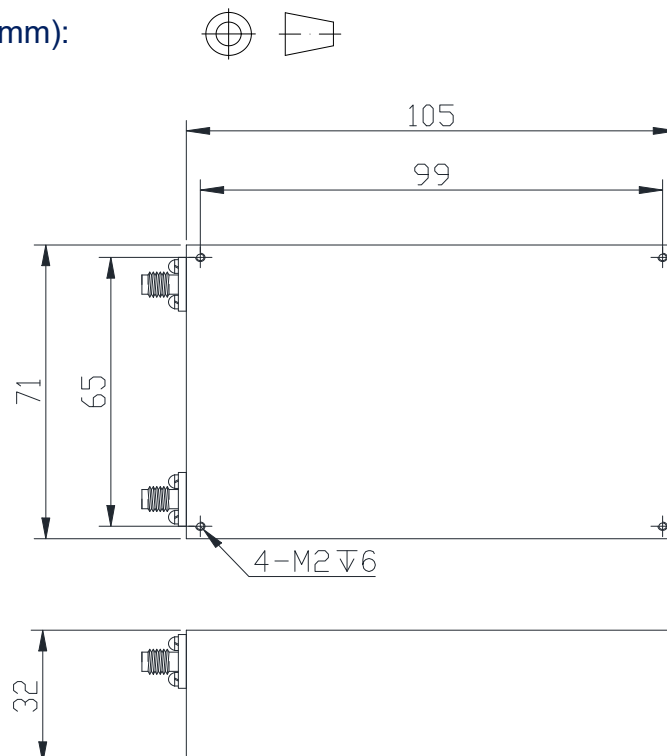


Band Stop Filter

Features and Electrical specifications:

Model	BSF-4400M5000A2-S
Rejection band	4400-5000MHz
Pass band	DC~4340MHz & 5060~8000MHz
Insertion Loss	DC-4300MHz≤3.0dB 4300-4340MHz≤5.0dB 5060-5100MHz≤5.0dB 5100-8000MHz≤3.0dB
Rejection	≥80dB
VSWR	2.5 Max
Rated Power	10 W
Impedance	50 Ω
Connector Type	SMA-F
Dimension	105.0x71.0x32.0mm
Surface Finishing	Black Painting
Operating Temperature	Ordinary temperature
Storage Temperature	-55 ~ +85°C

Outline Drawing (Unit: mm):



RFTYT Technology Co., LTD.

<http://www.rftyt.com>

E-mail : jackson@rftyt.com zqc7708@rftyt.com

TEL: +86-13088268828 FAX: +86-816-2846565

218# Wenwu Middle Road, Jinkai District, Mianyang, Sichuan Province China

Ready For Tackling Your Trouble



天亚通科技
RFTYT Technology Co., LTD.

<http://www.rftyt.com>

RFTYT Technology Co., LTD.

<http://www.rftyt.com>

E-mail : jackson@rftyt.com zqc7708@rftyt.com

TEL: +86-13088268828 FAX: +86-816-2846565

218# Wenwu Middle Road, Jinkai District, Mianyang, Sichuan Province China

Ready For Tackling Your Trouble