

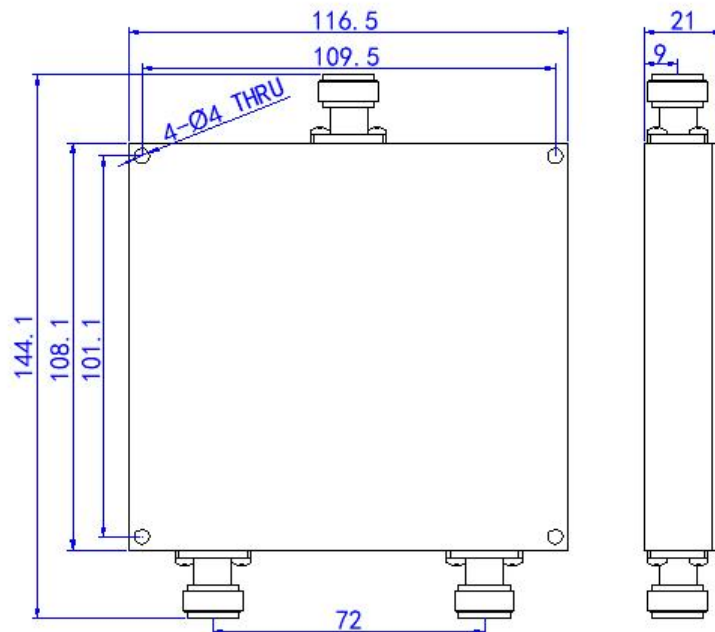


2 Way Power Divider

Features and Electrical specifications:

Model	PD02-F1211-N/80-900MHz
Frequency Range	80-900 MHz
Split loss	3.0 dB
Insertion Loss	≤0.7 dB
Isolation	80-900 ≥ 15 dB Min
VSWR	80-136 ≤ 1.5 max 136-900 ≤ 1.25 max
Rated Power	25 W
Impedance	50 Ω
Connector Type	N-F
Dimension	116.5X108.1X21 mm
Operating Temperature	-20 ~ +70°C
Weight	0.42 Kg
ROHS Compliant	Yes

Outline Drawing (Unit: mm):



RFTYT Technology Co., LTD.

<http://www.rftyt.com>

E-mail : jackson@rftyt.com zqc7708@rftyt.com

TEL: +86-13088268828 FAX: +86-816-2846565

218# Wenwu Middle Road, Jinkai District, Mianyang, Sichuan Province China

Ready For Tackling Your Trouble