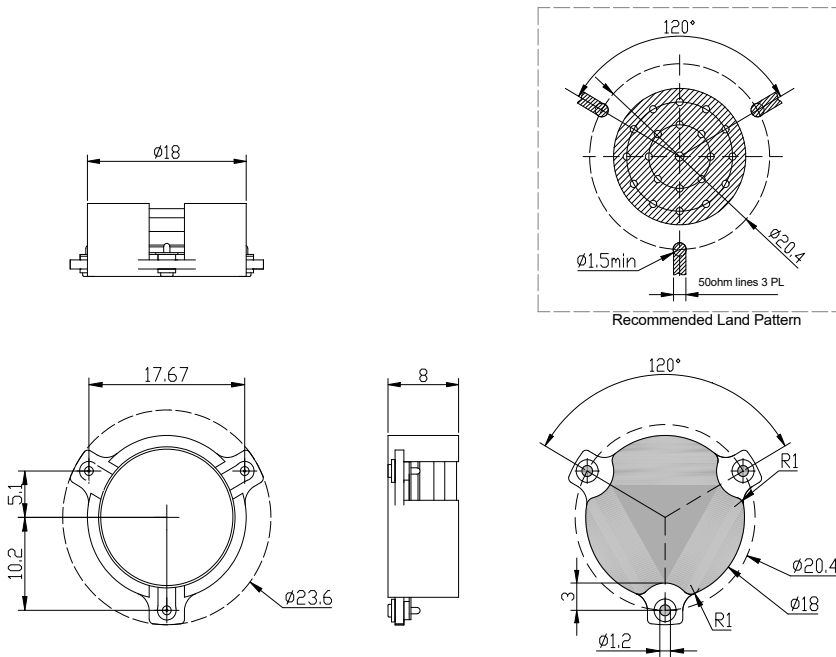
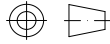


1400 to 3800MHz Surface Mount Circulator

SMTH-D18 SMT

Outline Drawing (mm):



Features:

- ◇ Good temperature stability
- ◇ Withstand high power
- ◇ RoHS compliant
- ◇ Weight : ≈ 15 g

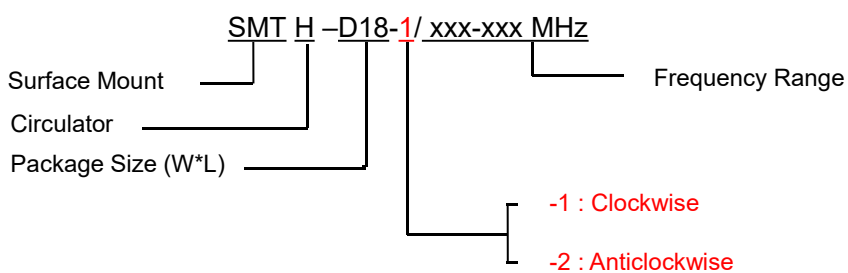
Material list:

- ◇ Shell: Silver
- Coating: Silver
- ◇ Inner conductor: Brass
- Coating: Silver

Application:

- ◇ Protect the power amplifier and
Installed at the end of RF power
amplifier
- ◇ Transceiver common antenna
- ◇ GSM1800/CDMA/TD-SCDMA/WCD
MA/EGSM/Wimax/TD-LTE/AMPS/S
MR 5G and other communication
systems

Order Examples:



Basic Specifications:

Impedance	50 Ω
Size(mm)	$\Phi 18.0 \times 8.0$
Operating Temp	-40~+80 $^{\circ}\text{C}$
Storage temperature	-50~+90 $^{\circ}\text{C}$
ConnectorType	SMT

Specifications:

Model No. (X=1: →Clockwise) (X=2: ←Anticlockwise)	Freq. Range MHz	IL. dB (max)	Isolation dB (min)	VSWR	Power CW
SMTH-D18-X/1400-1500MHz	1400-1500	0.35	23	1.2	100
SMTH-D18-X/1400-1530MHz	1400-1530	0.35	20	1.25	100
SMTH-D18-X/2100-2200MHz	2100-2200	0.25	23	1.2	100
SMTH-D18-X/2110-2170MHz	2110-2170	0.30	23	1.2	100
SMTH-D18-X/2555-2655MHz	2555-2655	0.25	23	1.2	100
SMTH-D18-X/2570-2620MHz	2570-2620	0.5	18	1.3	100
SMTH-D18-X/2900-3300MHz	2900-3300	0.35	18	1.3	500
SMTH-D18-X/3300-3800MHz	3300-3800	0.6	17	1.35	100

Instructions:

- 1, When the surface paste circulator adopts reflow welding process, the maximum temperature does not exceed 260 degrees;
- 2, The circulator only provides through power, indicating that the transmission to the antenna and the antenna to the receiving are through power;
- 3, Only some common frequencies in the table, can be produced according to the user's requirements;
- 4, If you do not find what you are looking for, please contact us!