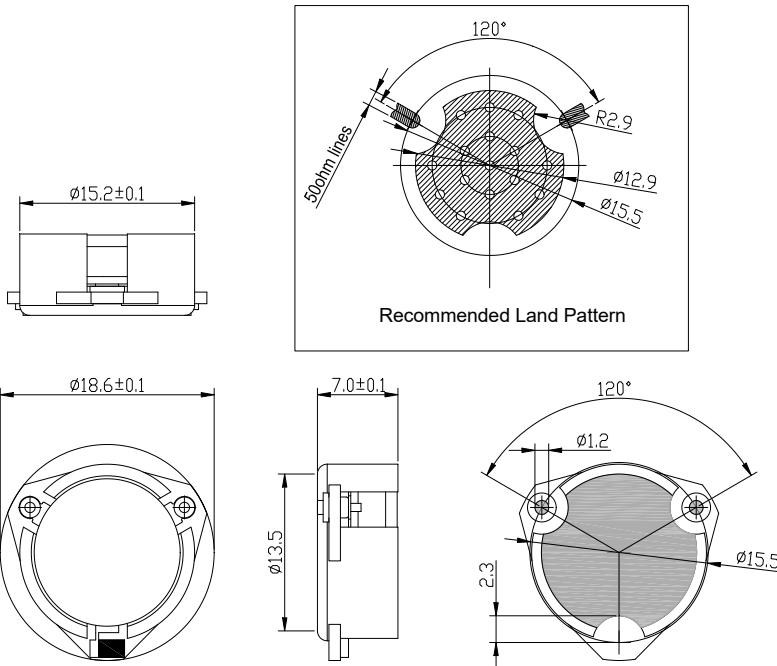


1.0 to 5.0GHz Surface Mount Isolator

SMTG-D15 SMT Type

Outline Drawing (mm): 



Features:

- ◇ Good temperature stability
- ◇ Withstand high power
- ◇ RoHS compliant
- ◇ Weight : \approx 18 g

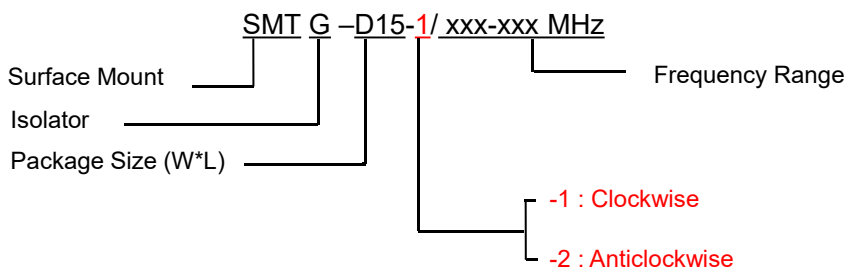
Material list:

- ◇ Shell: industrial pure iron silvered
- ◇ Inner conductor: silver plated brass
- ◇ Electrical resistance: Beryllium oxide or aluminum nitride

Application:

- ◇ Rf amplifier final stage, protect the amplifier
- ◇ Digital communication
- ◇ Satellite communication
- ◇ Mobile communication

Order Examples :



Basic Specifications :

Impedance	50 Ω
Size(mm)	Φ 15*7.0
Operating Temp	-40~+85 $^{\circ}$ C
Storage temperature	-50~+90 $^{\circ}$ C
ConnectorType	SMT

Specifications:

Model No. (X=1: →Clockwise) (X=2: ←Anticlockwise)	Freq. Range MHz	IL. dB (max)	Isolation dB (min)	VSWR	Forward Power CW	Reverse Power W
SMTG-D15-X/1000-1080MHz	1000-1080	0.50	20.0	1.25	60	10
SMTG-D15-X/1240-1260MHz	1240-1260	0.40	20.0	1.25	60	10
SMTG-D15-X/1350-1410MHz	1350-1410	0.40	20.0	1.25	60	10
SMTG-D15-X/1800-1870MHz	1800-1870	0.30	23.0	1.20	60	10
SMTG-D15-X/2400-2600MHz	2400-2600	0.40	20.0	1.25	60	10
SMTG-D15-X/3100-3400MHz	3100-3400	0.40	20.0	1.25	60	10
SMTG-D15-X/3240-3340MHz	3240-3340	0.30	23.0	1.20	60	10
SMTG-D15-X/3620-3630MHz	3620-3630	0.25	25.0	1.15	60	10
SMTG-D15-X/3650-3750MHz	3650-3750	0.30	23.0	1.20	60	10
SMTG-D15-X/3700-3800MHz	3700-3800	0.30	23.0	1.20	60	10
SMTG-D15-X/3800-4100MHz	3800-4100	0.40	20.0	1.25	60	10
SMTG-D15-X/4000-4100MHz	4000-4100	0.30	23.0	1.20	60	10
SMTG-D15-X/4200-4400MHz	4200-4400	0.30	23.0	1.20	60	10
SMTG-D15-X/4500-4700MHz	4500-4700	0.30	23.0	1.20	60	10
SMTG-D15-X/4800-5000MHz	4800-5000	0.30	23.0	1.20	60	10

Instructions:

- 1, When the surface attachment isolator adopts reflow welding process, the maximum temperature does not exceed 260 degrees;
- 2, The reflected power is only 10W, if you need more can use the way of circulator plus resistance;
- 3, Only some common frequencies in the table, can be produced according to the user's requirements;
- 4, If you do not find what you are looking for, please contact us!