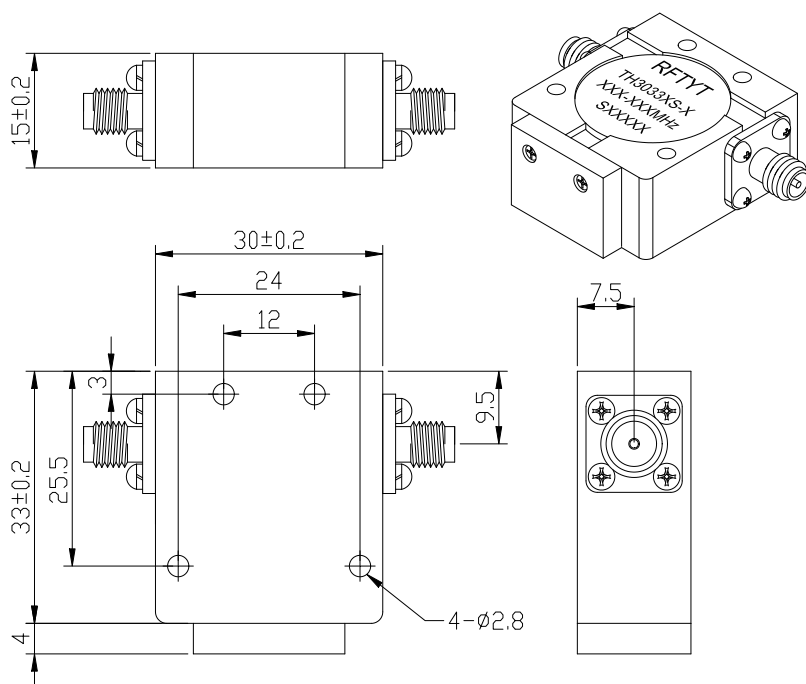
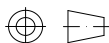


700 to 3000MHz Coaxial Isolator

TG3033XS SMA Type

Outline Drawing (mm):



Features:

- ◇ Good temperature stability
- ◇ Withstand high power
- ◇ RoHS compliant
- ◇ Weight : \approx g

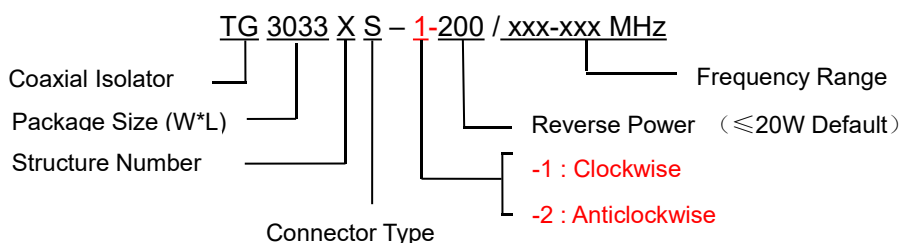
Material list:

- ◇ Shell: easy to cut iron plated nickel
- ◇ Inner conductor: silver plated brass
Coating: Silver
- ◇ Load chamber: aluminum conductive oxidation
- ◇

Application:

- ◇ Rf amplifier final stage, protect the amplifier
- ◇ Tropospheric scatter communication
- ◇ GSM/CDMA/TD-SCDMA/WCDMA
EGSM/Wimax/TD-LTE/AMPS/SMR
5G and other communication systems

Order Examples:



Connector Type:

SMA Type Connector Options			N Type Connector Options		
Port 1	Port 2	Abbreviation	Port 1	Port 2	Abbreviation
SMA-F	SMA-F	S	N-F	N-F	N
SMA-F	SMA-M	SKJ	N-F	N-M	NKJ
SMA-M	SMA-F	SJK	N-M	N-F	NJK
SMA-M	SMA-M	SJ	N-M	N-M	NJ

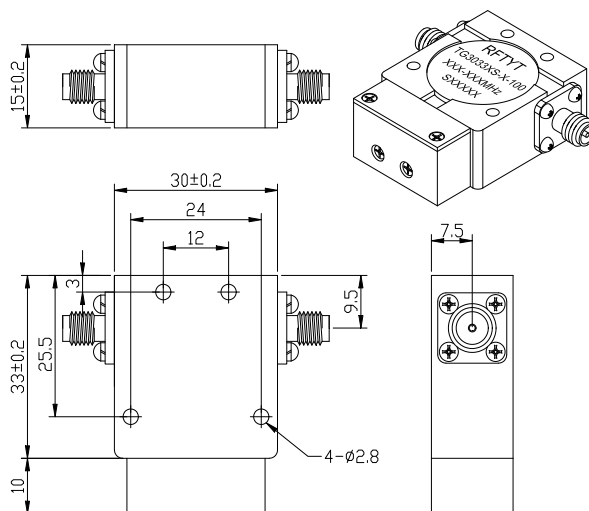
Basic Specifications :

Impedance	50 Ω
Connector Type	SMA-F
Size(mm)	30.0*33.0*15.0
Operating Temp	-30~+75℃/-45~+85℃
Storage temperature	-50~+90℃

Specifications :

Model No. (X=1: →Clockwise) (X=2: ←Anticlockwise)	Freq. Range MHz	IL. dB (max)	Isolation dB (min)	VSWR	Forward Power CW	Reverse Power W	Notes
TG3030XS-X/700-900MHz	700-900	0.60	18.0	1.3	100	20/100	
TG3030XS-X/800-1000MHz	800-1000	0.50	18.0	1.3	100	20/100	
TG3030XS-X/920-960MHz	920-960	0.30	23.0	1.20	100	20/100	
TG3030XS-X/960-1215MHz	960-1215	0.40	18.0	1.30	100	20/100	-30~+70℃
		0.50	16.0	1.35	100	20/100	-45~+85℃
TG3030XS-X/1400-1600MHz	1400-1600	0.35	20.0	1.25	100	20/100	
TG3030XS-X/1700-2300MHz	1700-2300	0.50	18.0	1.30	100	20/100	
TG3030XS-X/1800-2200MHz	1800-2200	0.40	20.0	1.25	100	20/100	

Reflected power 100W size diagram



The reflected power of this figure is 100W, the indicators are shown in the table above, and its model is

TG3033XS-X-100/XXX-XXXMHz

Instructions:

- 1, the isolator connector can be selected SMA, N, male and female head can be used with the user;
- 2, the reflection power is commonly used 20W and 100W options, you can also configure the total reflection power according to user requirements;
- 3, only some common frequencies in the table, can be produced according to the user's requirements;
- 4, if you do not find what you are looking for, please contact us!