



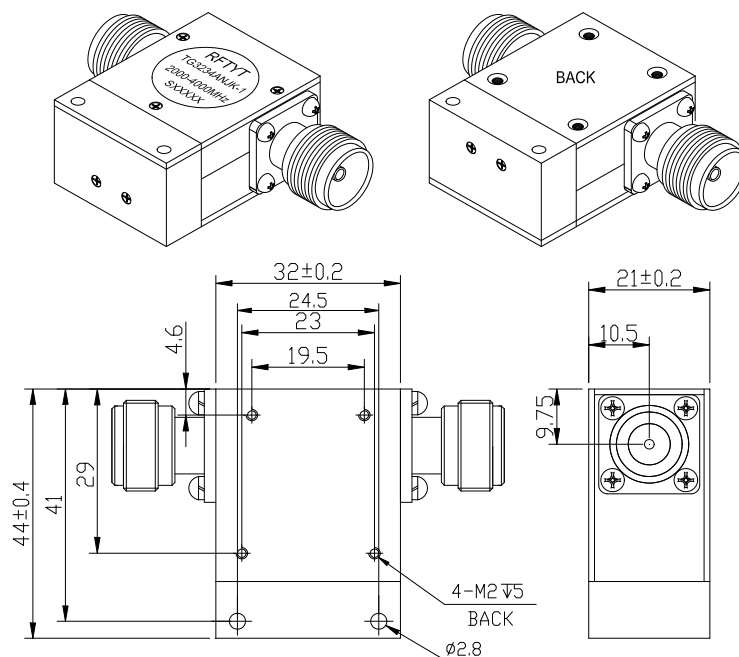
**Basic Specifications :**

|                     |                |
|---------------------|----------------|
| Impedance           | 50 Ω           |
| Connector Type      | N-K            |
| Size(mm)            | 32.0*34.0*21.0 |
| Operating Temp      | -10~+60℃       |
| Storage temperature | -50~+90℃       |

**Specifications :**

| Model No.<br>(X=1: →Clockwise)<br>(X=2: ←Anticlockwise) | Freq. Range<br>GHz | IL.<br>dB<br>(max) | Isolation<br>dB (min) | VSWR | Forward Power<br>CW | Reverse Power<br>W |
|---|--------------------|--------------------|-----------------------|------|---------------------|--------------------|
| TG3234AN-X/2000-4000MHz                                 | 2.0-4.0            | 0.50               | 18.0                  | 1.30 | 150                 | 20/100             |

Reflected power 100W size diagram



The reflected power of this figure is 100W, the indicators are the same as the table, model TG3234AN-X-100/2000-4000MHz

**Instructions:**

- 1, The isolator connector can be selected SMA, N, male and female head can be used with the user;
- 2, The reflection power is commonly used 20W and 100W options, you can also configure the total reflection power according to user requirements;
- 3, Only some common frequencies in the table, can be produced according to the user's requirements;
- 4, If you do not find what you are looking for, please contact us!