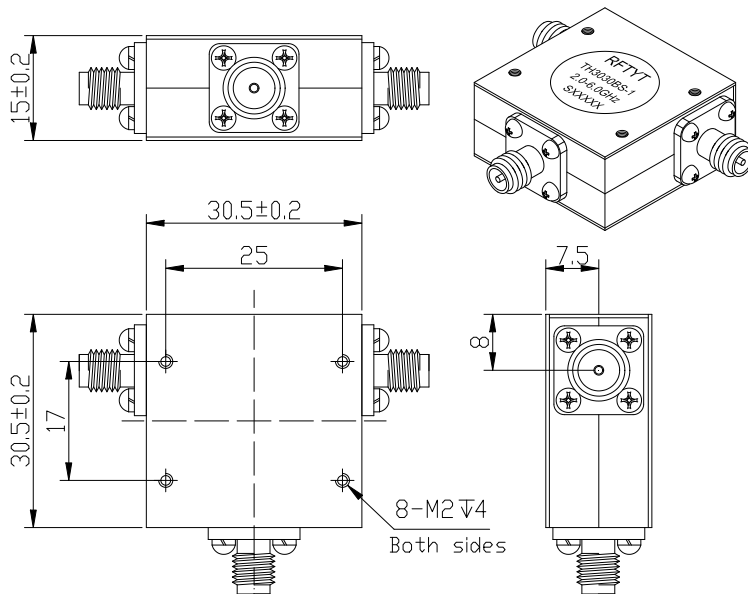
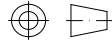


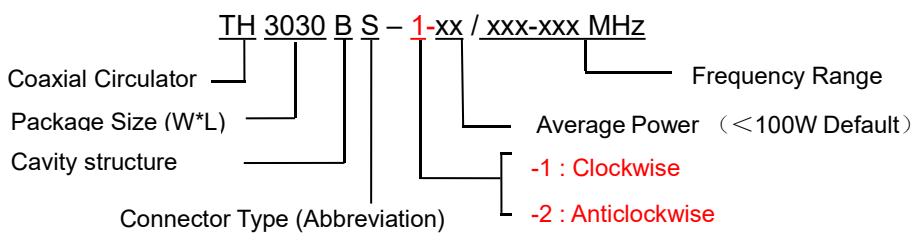
2.0 to 6.0GHz Coaxial Circulator

TH3030BS SMA Type

Outline Drawing (mm):



Order Examples:



Features:

- ◇ Good temperature stability
- ◇ Withstand high power
- ◇ RoHS compliant
- ◇ Weight : ≈120g

Material list:

- ◇ Cavity: aluminum conductive oxidation
- ◇ Outer shell: industrial pure iron nickel plating
- ◇ Guide body: Silver plated brass
- ◇ Connector housing: gold plated brass

Application:

- ◇ Rf amplifier final stage, protect the amplifier
- ◇ Common transceiver antenna
- ◇ Digital communication
- ◇ Satellite communication
- ◇ Mobile communication



Connector Type:

SMA Type Connector Options				N Type Connector Options			
Port 1	Port 2	Port 3	Abbreviation	Port 1	Port 2	Port 3	Abbreviation
SMA-F	SMA-F	SMA-F	S	N-F	N-F	N-F	N
SMA-F	SMA-M	SMA-M	SKJJ	N-F	N-M	N-M	NKJJ
SMA-M	SMA-F	SMA-M	SJKJ	N-M	N-F	N-M	NJKJ
SMA-F	SMA-F	SMA-M	SKKJ	N-F	N-F	N-M	NKKJ
SMA-M	SMA-M	SMA-M	SJ	N-M	N-M	N-M	NJ

Basic Specifications :

Impedance	50 Ω
Connector Type	SMA-K
Size(mm)	30.5*30.5*15.0
Operating temperature	-40~+70℃
Storage temperature	-50~+90 ℃

Specifications :

Model No. (X=1: →Clockwise) (X=2: ←Anticlockwise)	Freq. Range GHz	IL. dB (max)	Isolation dB (min)	VSWR (max)	Power W
TH3030BS-X/2.0-6.0GHz	2.0-6.0	0.85	12.0	1.50	0~+60℃
		1.70	12.0	1.60	-30~+75℃

Instructions :

- 1, The circulator connector can be selected SMA, N, male and female head can be used with the user;
- 2, The circulator only provides through power, indicating that the transmission to the antenna and the antenna to the receiving are through power;
- 3, Only some common frequencies in the table, can be produced according to the user's requirements;
- 4, If you do not find what you are looking for, please contact us!