

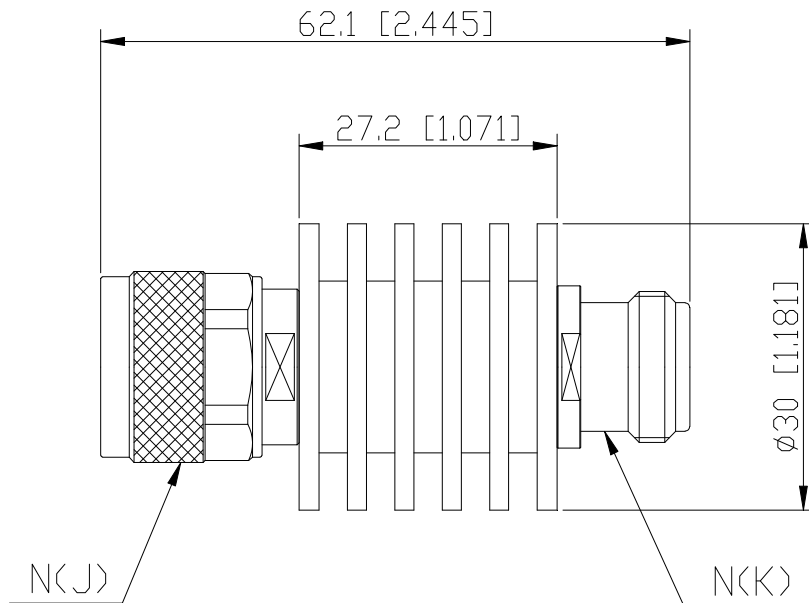


Coaxial Fixed Attenuator

Features and Electrical specifications:

Model	RFTXX-10RA3027-N-8 (XX=Attenuator Value)			
Frequency Range	DC~8.0GHz			
VSWR	1.25 Max			
Power	10 W			
Impedance	50 Ω			
Attenuation	1-10dB	11-20dB	21-30dB	40dB
Attenuation Tolerance	±0.6dB	±0.8dB	±1.0dB	±1.0dB
Connector	N-J(M)/N-K(F)			
Dimension	Φ30×62.1mm			
Operating Temperature	-55 ~ +125°C (See de Power De-rating)			
Weight	About 110 g			
ROHS Compliant	Yes			

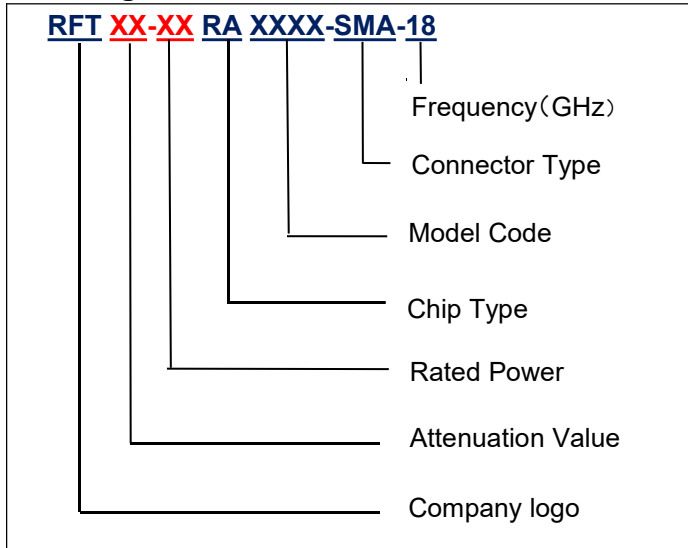
Outline Drawing (Unit: mm/inch):



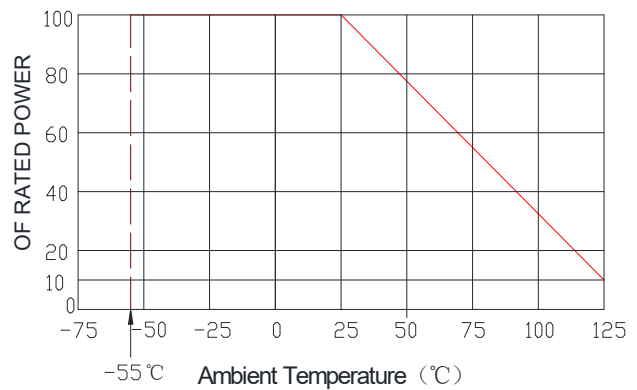
The connector could be SMA, DIN, 4.3-10 MM or FF ,
or any two can be freely mixed and matched



Naming rules:



Power De-rating:



Use attention:

- 1、 Dimensions Tolerance $\pm 3\%$;
- 2、 If necessary, the product shall be air-cooled for auxiliary heat dissipation ;
- 3、 Custom designs available of other special coaxial fixed attenuator ;
- 4、 Pay attention to the direction of the product during use and strictly prohibit reverse connection.