

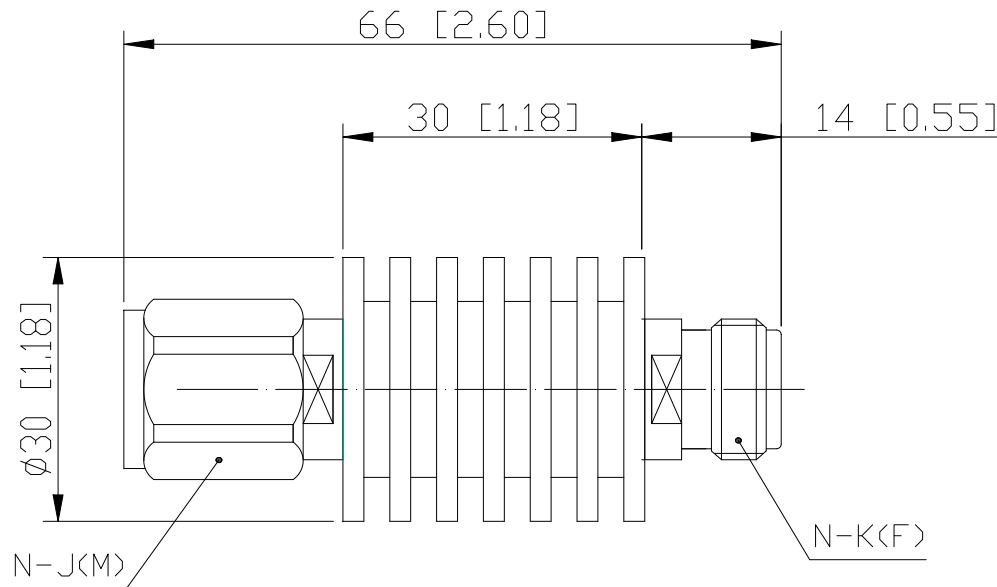


Coaxial Fixed Attenuator

Features and Electrical specifications:

Model	RFTXX-10RA3030-N-4 (XX=Attenuator Value)			
Frequency Range	DC~4.0GHz			
VSWR	1.20 Max			
Power	10 W			
Impedance	50 Ω			
Attenuation	1-10dB	11-20dB	21-30dB	40dB
Attenuation Tolerance	± 0.6 dB	± 0.8 dB	± 1.0 dB	± 1.0 dB
Connector	N-J(M)/N-K(F)			
Dimension	$\Phi 30 \times 66$ mm			
Operating Temperature	-55 ~ +125°C (See de Power De-rating)			
Weight	About 110 g			
ROHS Compliant	Yes			

Outline Drawing (Unit: mm/inch):



The connector could be SMA, DIN, 4.3-10 MM or FF ,
or any two can be freely mixed and matched

RFTYT Technology Co., LTD.

<http://www.rfyt.com>

E-mail: Jackson@rfyt.com zqc7708@rfyt.com

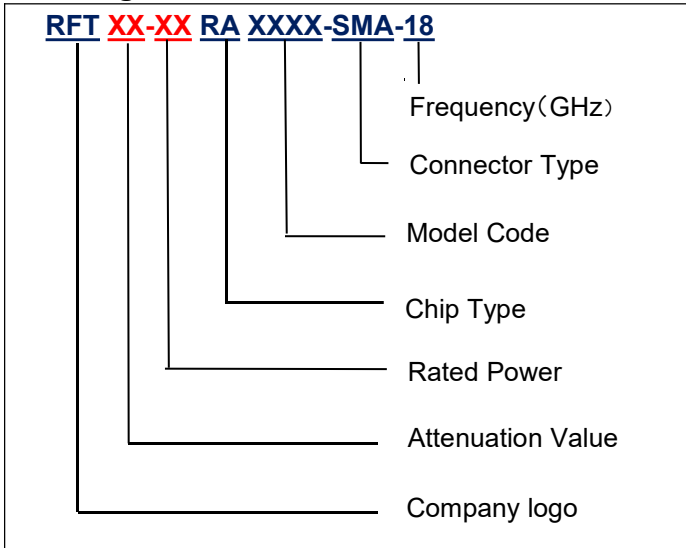
TEL: +86-13088268828 FAX: +86-816-2846565

218# Wenwu Middle Road, Jinkai District, Mianyang, Sichuan Province China

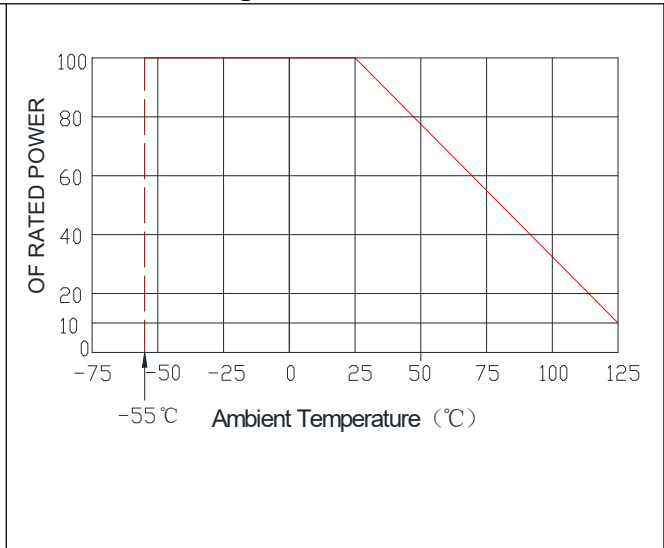
Ready For Tackling Your Trouble



Naming rules:

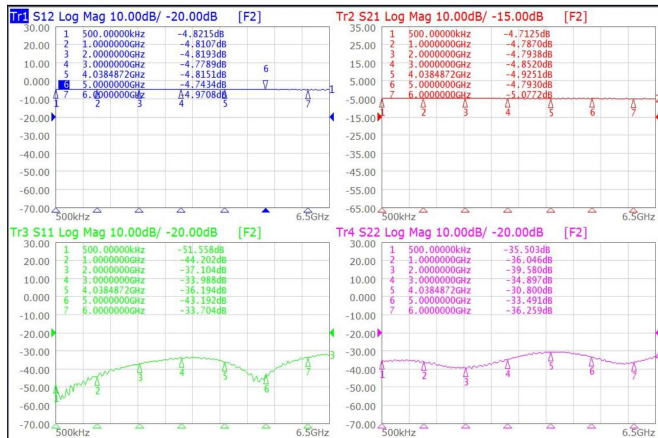


Power De-rating:

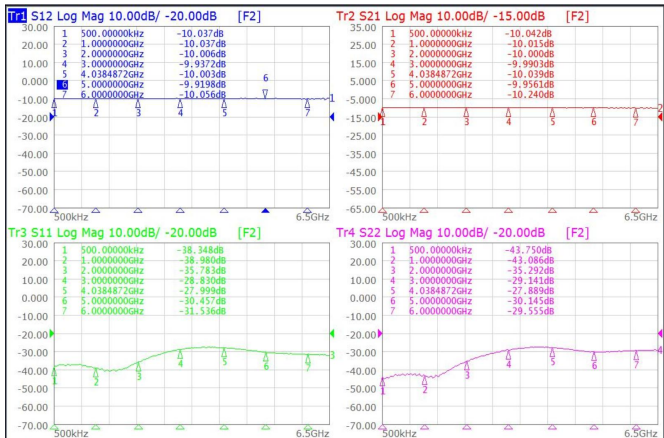


Graph:

5dB



10dB



Use attention:

- 1、Dimensions Tolerance $\pm 3\%$;
- 2、If necessary, the product shall be air-cooled for auxiliary heat dissipation ;
- 3、Custom designs available of other special coaxial fixed attenuator ;
- 4、Pay attention to the direction of the product during use and strictly prohibit reverse connection.