

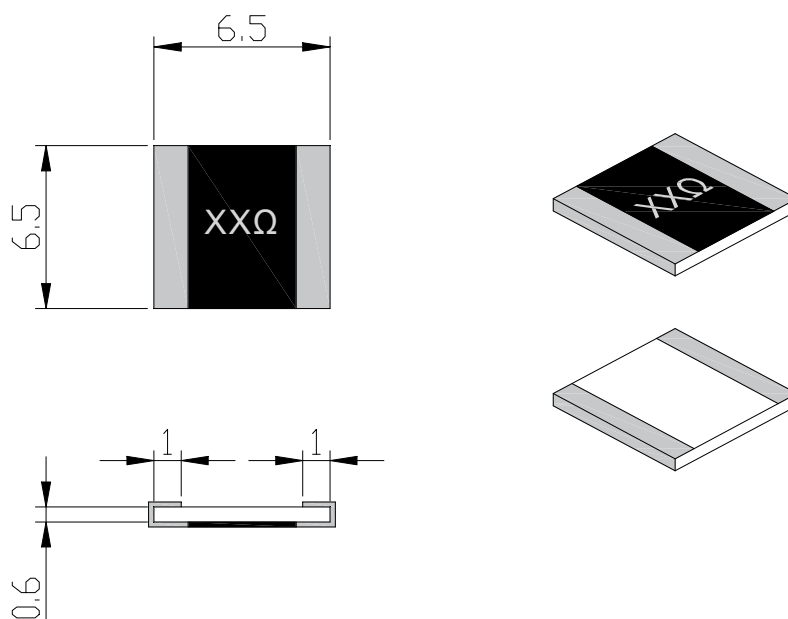
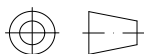


Chip Resistor

Features and Electrical specifications:

Model	RFTXXA-05CR6565B
Power	5 W
Resistance	XX Ω (10~3000 Ω Customizable)
Resistance Tolerance	$\pm 5\%$
Temperature Coefficient	<150ppm/ $^{\circ}\text{C}$
Substrate	Al ₂ O ₃
Resistive Element	Thick Film
Operating Temperature	-55 to +150 $^{\circ}\text{C}$ (See de Power De-rating)

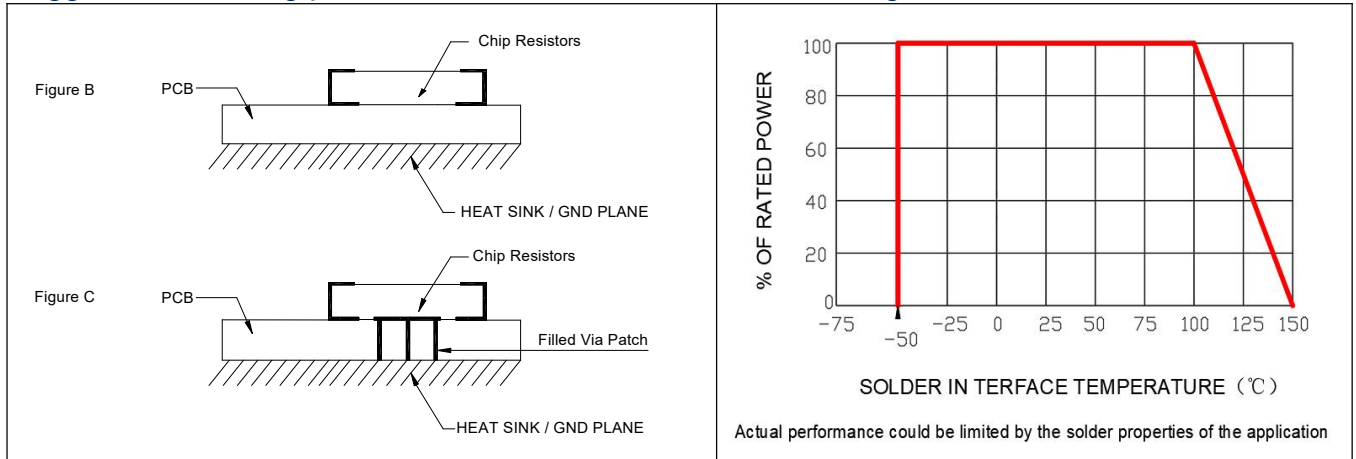
Outline Drawing (Unit: mm) :



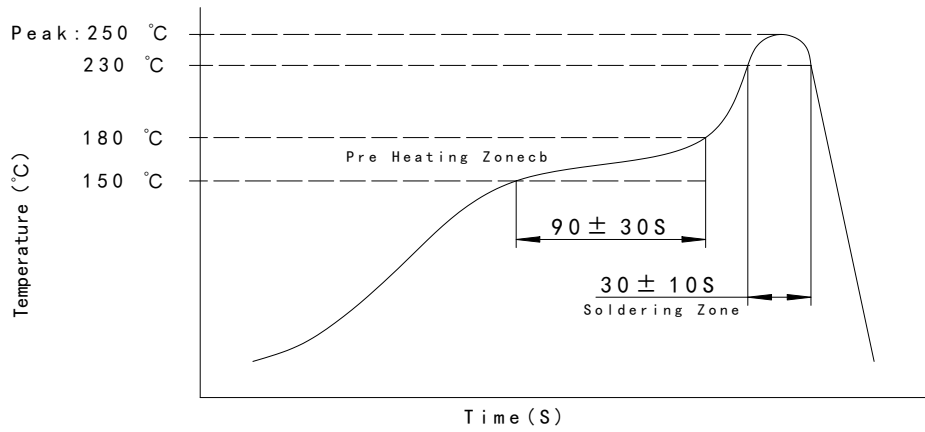


Suggested mounting procedures:

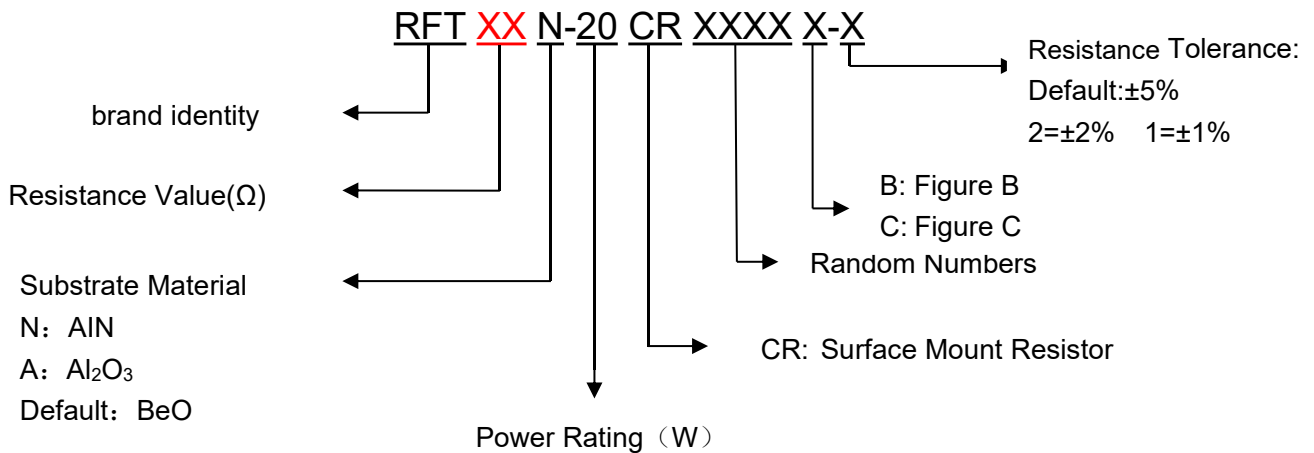
Power De-rating:



Reflow Profile:



P/N Designation:





Use attention:

■ After the storage period of newly purchased parts exceeds 6 months, attention shall be paid to the weldability before use. It is recommended to store after vacuum packaging.

■ Drill thermal vias through PCB and fill with solder.

■ Reflow welding is preferred for welding, see Reflow curve

■ In order to meet the requirements of the drawing, a radiator of sufficient size must be installed.

■ If necessary, add air cooling or water cooling.

Explain:

■ Custom designs available RF Attenuators and RF Resistors and RF Terminations.