

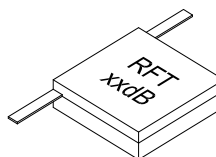
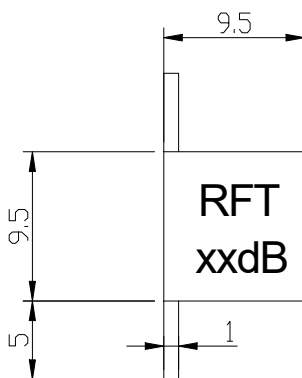
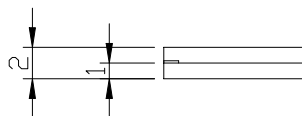


## Leaded Attenuator

### ◆ Features and Electrical specifications:

Model	RFTXXN-150AM9595B-3G (XX=Attenuation value)	
Impedance	50 Ω	
Frequency Range	DC~3.0GHz	
VSWR	1.25 max	
Rated Power	150 W	
Attenuation Value	03dB	04dB
Attenuation Tolerance	±0.65dB	±0.7dB
Temperature coefficient	<150ppm/°C	
Substrate Material	AlN	
Porcelain Hat Material	Al <sub>2</sub> O <sub>3</sub>	
Lead	99.99% Sterling Silver	
Resistance Technology	Thick Film	
Operating Temperature	-55 to +150°C (See de Power De-rating)	

### ◆ Outline Drawing (Unit: mm/inch):

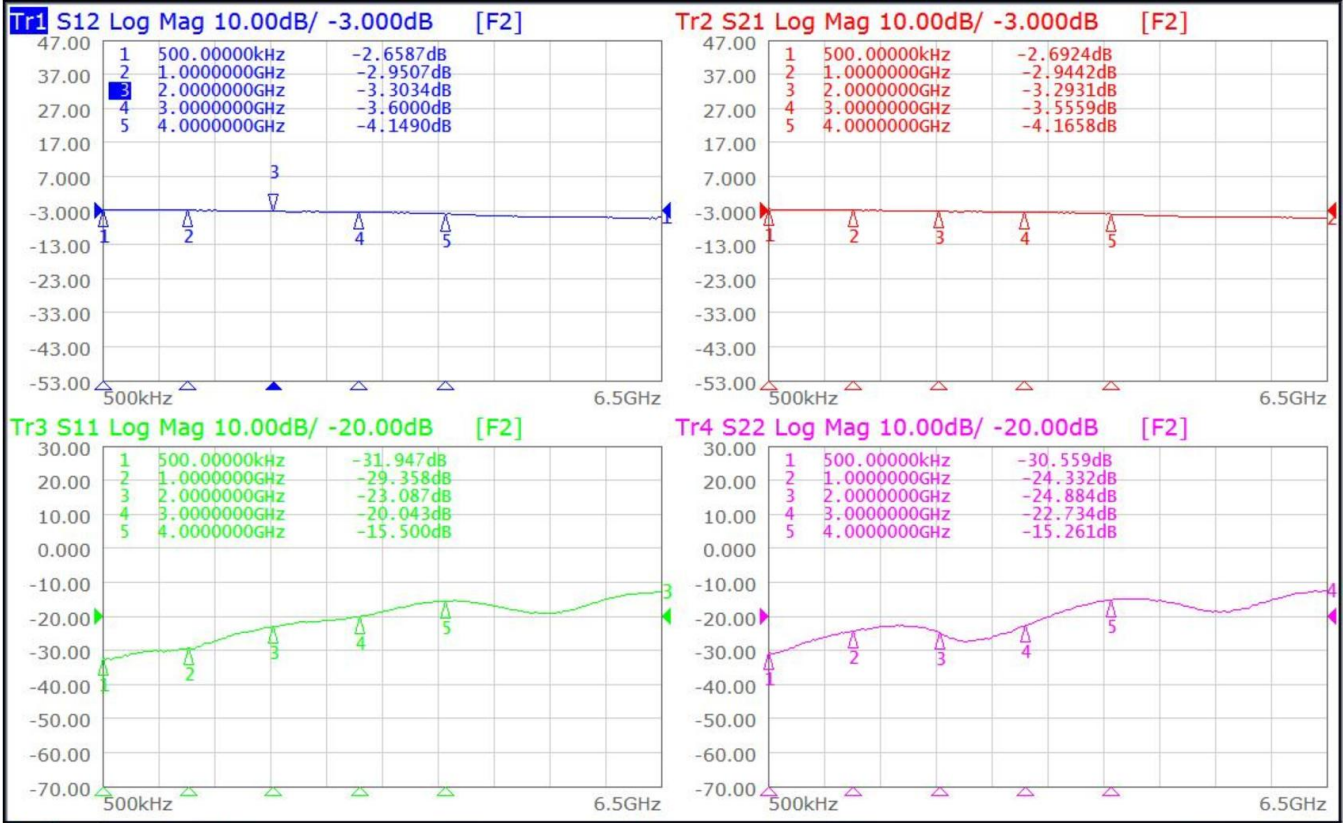


Lead length can be customized according to customer requirements  
Dimensional tolerance: 5% unless otherwise stated

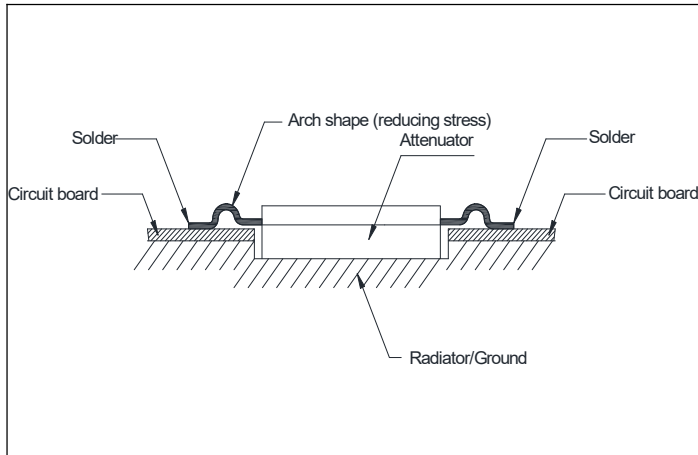


Typical Performance:

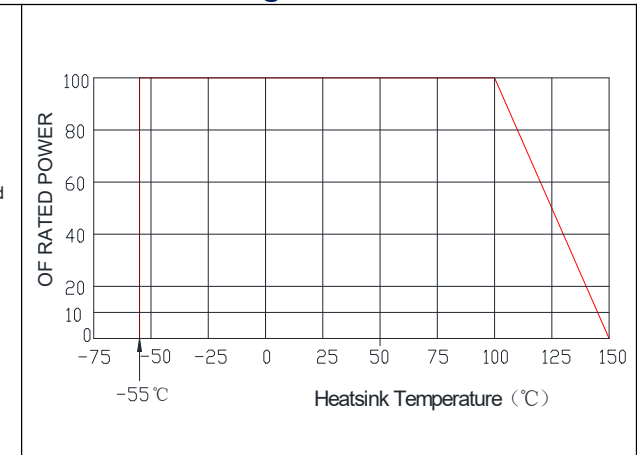
3dB Graph



◆Installation Method:

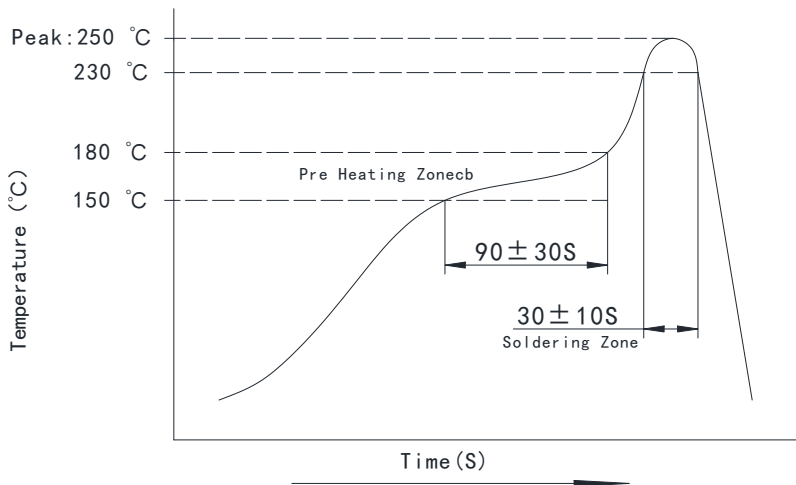


◆Power De-rating:

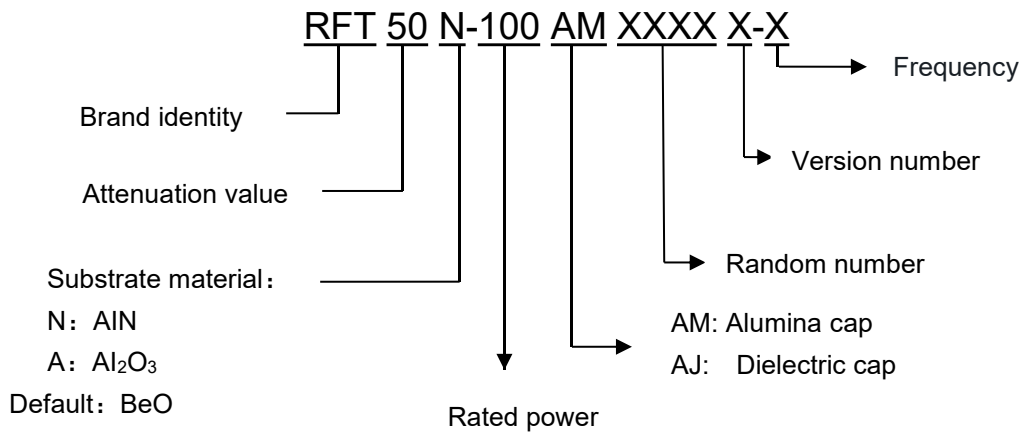




◆ **Reflow Profile:**



◆ **P/N Designation:**



◆ **Notice:**

- After the storage period of newly purchased parts exceeds 6 months, attention should be paid to weldability before use. It is recommended to store in vacuum packaging.
- The ground needs optimal heat transfer.
- The manual welding lead should be used under a constant temperature soldering iron of no more than 350 degrees, and the welding time should be controlled within 5 seconds.
- In order to meet the drawing requirements, it is necessary to install a sufficiently large radiator. Metal surfaces and radiators need to be coated with a very thin layer of thermal grease.
- If necessary, add air or water cooling.

◆ **Instructions:**

- Custom designed RF attenuators, RF resistors and RF terminals are available.