

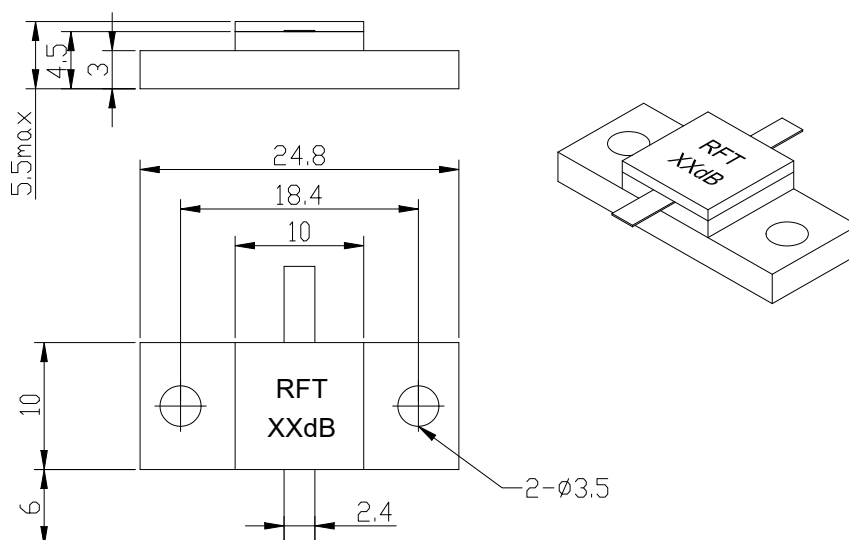


Flanged Attenuator

◆ Features and Electrical specifications:

Model	RFTXX-150AM2510-6 (XX=Attenuation value)			
Impedance	50 Ω			
Frequency Range	DC~6.0GHz			
VSWR	1.25 max			
Rated Power	150 W			
Attenuation Value(dB)	01-10	15, 17, 20, 21	19	23, 24
Attenuation Tolerance(dB)	±0.8	+0.5 / -1.5	+0.5 / -2.0	±1.0dB
Temperature coefficient	<150ppm/°C			
Substrate Material	BeO			
Porcelain Hat Material	Al ₂ O ₃			
Flange	Nickel-plated copper			
Lead	99.99% Sterling Silver			
Resistance Technology	Thick Film			
Operating Temperature	-55 to +150°C (See de Power De-rating)			

◆ Outline Drawing (Unit: mm/inch):



Lead length can be customized according to customer requirements

Dimensional tolerance: 5% unless otherwise stated

RFTYT Technology Co., LTD.

<http://www.rfyt.com>

E-mail: Jackson@rfyt.com

Cerman.wu@rfyt.com

TEL: +86-13088268828

FAX: +86-816-2846565

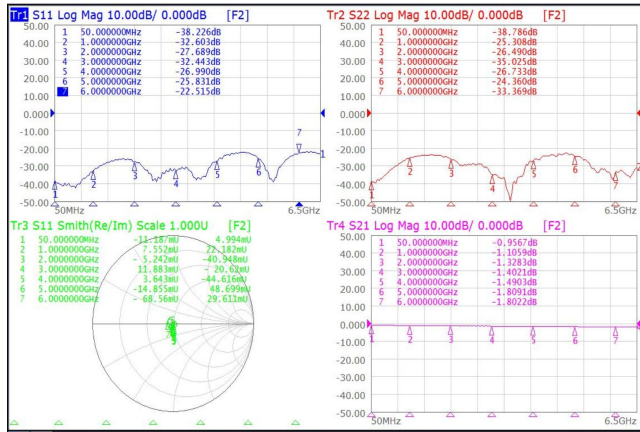
218# Wenwu Middle Road, Jinkai District, Mianyang, Sichuan Province China

Ready For Tackling Your Trouble

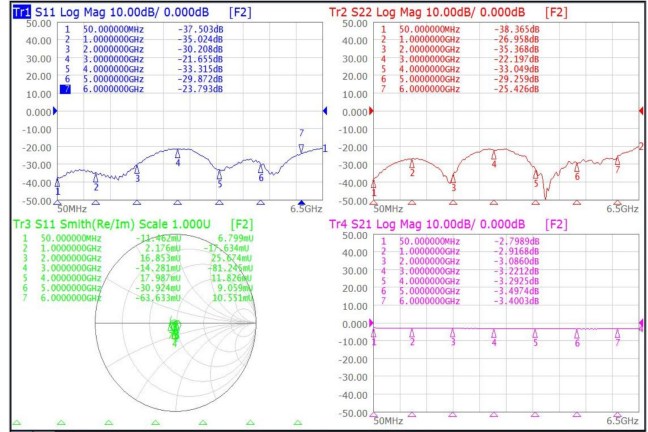


Typical Performance:

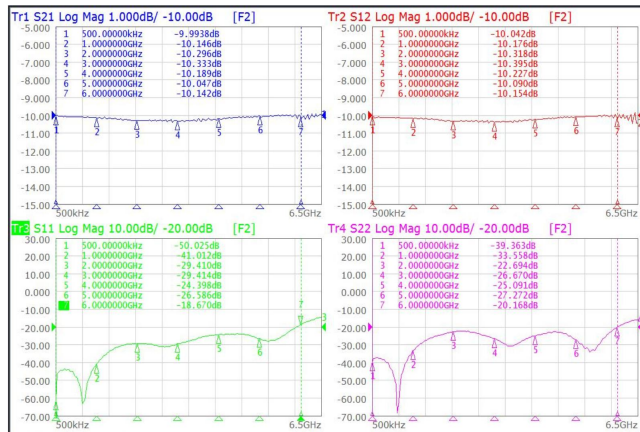
1dB Graph



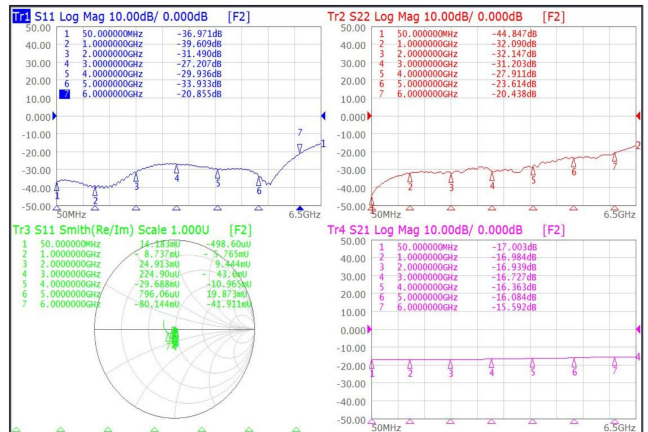
3dB Graph



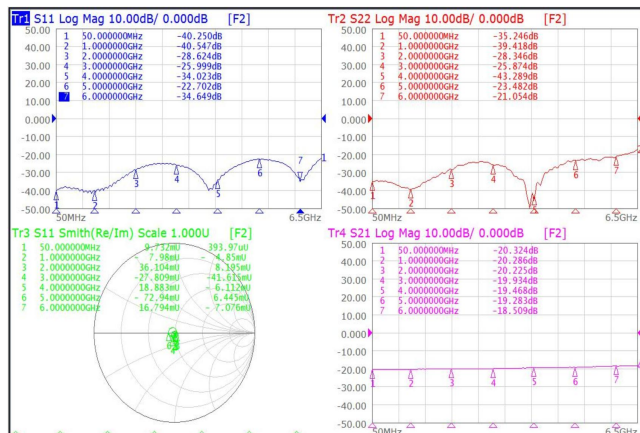
10dB Graph



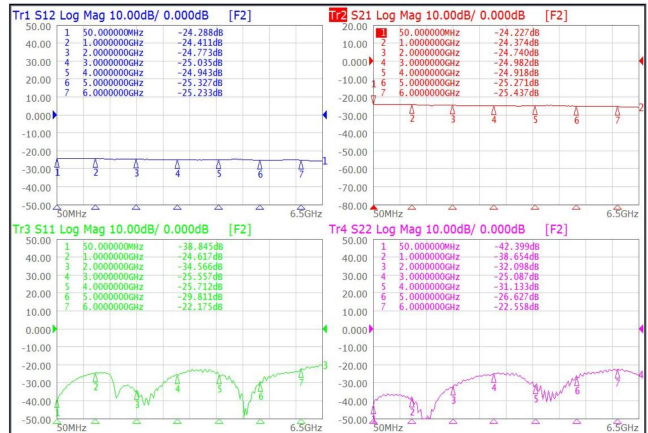
17dB Graph



20dB Graph

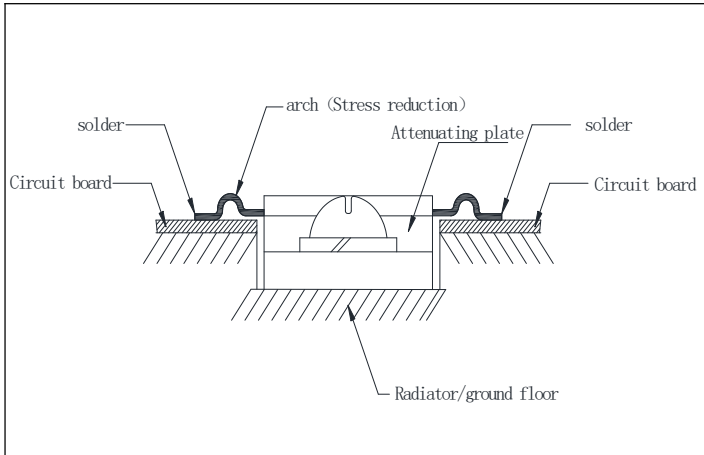


24dB Graph

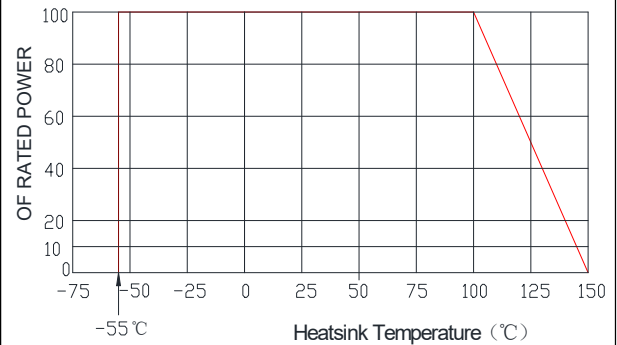




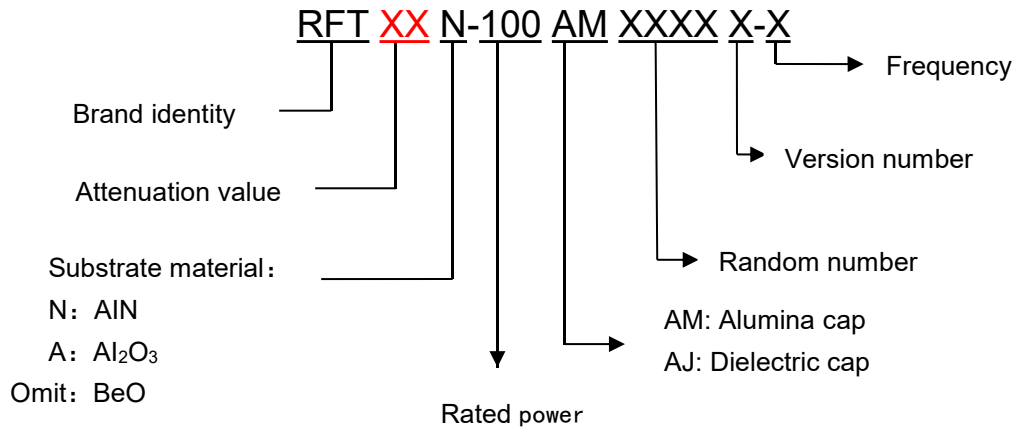
◆ Installation Method:



◆ Power De-rating:



◆ P/N Designation:



◆ Use attention:

- After the storage period of newly purchased parts exceeds 6 months, attention should be paid to weldability before use. It is recommended to store in vacuum packaging.
- The ground needs optimal heat transfer.
- The manual welding lead should be used under a constant temperature soldering iron of no more than 350 degrees, and the welding time should be controlled within 5 seconds.
- In order to meet the drawing requirements, it is necessary to install a sufficiently large radiator. Metal surfaces and radiators need to be coated with a very thin layer of thermal grease.
- If necessary, add air or water cooling.

◆ Instructions:

- Custom designed RF attenuators, RF resistors and RF terminals are available.