

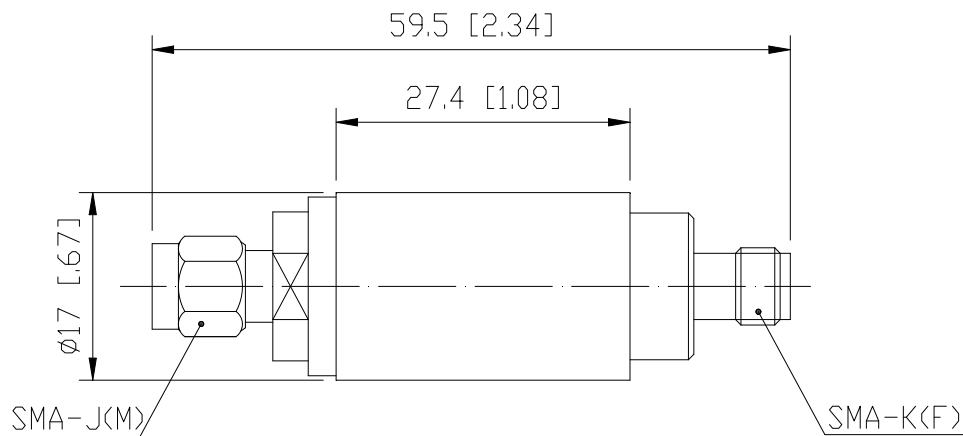
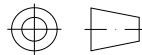


## Coaxial Fixed Attenuator

### Features and Electrical specifications:

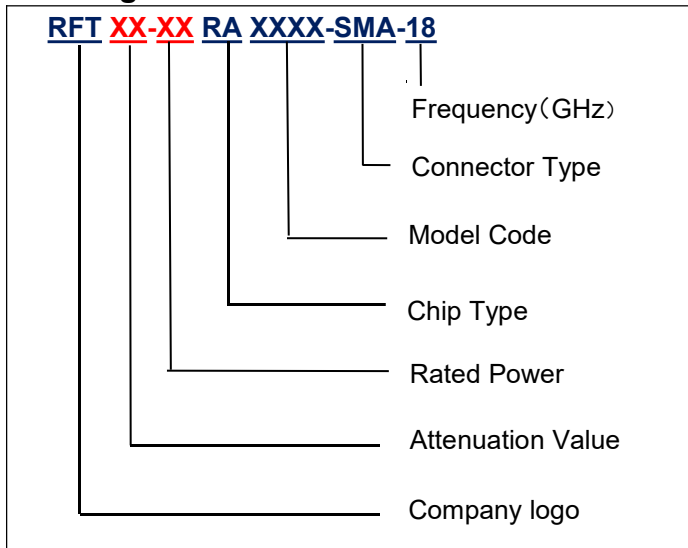
Model	RFTXX-02RF1727-SMA-4 (XX=Attenuator Value)		
Frequency Range	DC~4.0GHz		
VSWR	1.20Max		
Power	2 W		
Impedance	50 Ω		
Attenuation	1-10dB	11-20dB	21-30dB
Attenuation Tolerance	±0.6dB	±0.8dB	±1.0dB
Connector	SMA-J(M)/SMA-K(F)		
Dimension	Φ17×59.5mm		
Operating Temperature	-55 ~ +125°C (See de Power De-rating)		
Weight	About 49 g		
ROHS Compliant	Yes		

### Outline Drawing (Unit: mm/inch):





**Naming rules:**



**Power De-rating:**



**Use attention:**

- 1、 Dimensions Tolerance  $\pm 3\%$ ;
- 2、 If necessary, the product shall be air-cooled for auxiliary heat dissipation ;
- 3、 Custom designs available of other special coaxial fixed attenuator ;
- 4、 Pay attention to the direction of the product during use and strictly prohibit reverse connection.