

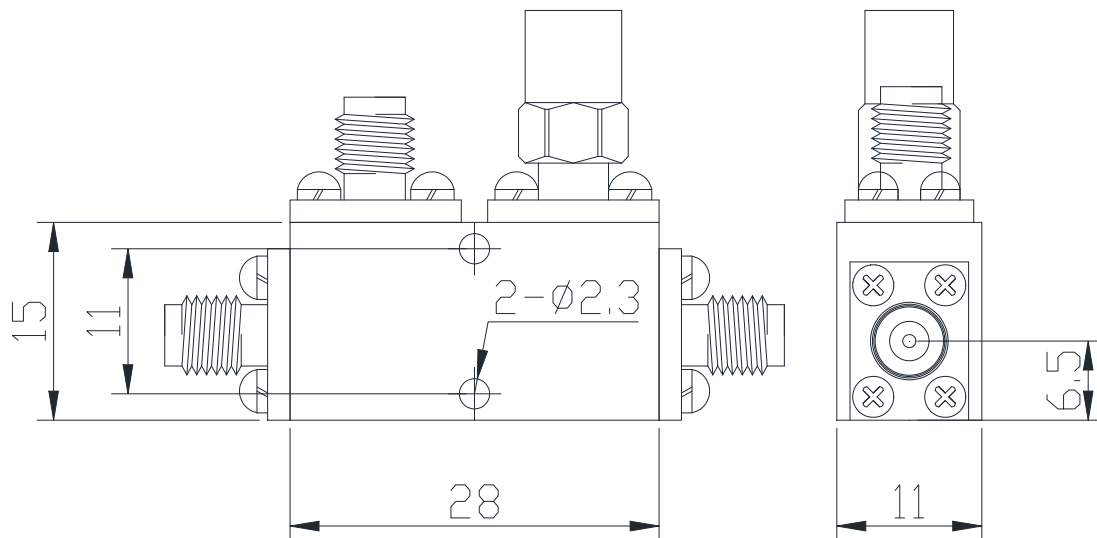


Directional Coupler

Features and Electrical specifications:

Model	CP06-F1528-G/27-32GHz
Frequency Range	27~32GHz
Insertion Loss	1.2dB (Excluding 1.25dB coupling loss)
Nominal Coupling	6±1dB
Coupling Sensitivity	≤±0.7dB
Directivity	10dB
VSWR	1.60 Max
Rated Power	10W
Impedance	50 Ω
Connector Type	2.92-F
Dimension	28x15x11 mm
Surface Finishing	Grey Painting
Operating Temperature	-55 ~ +85°C
ROHS Compliant	Yes

Outline Drawing (Unit: mm):



RFTYT Technology Co., LTD.

<http://www.rftyt.com>

E-mail : jackson@rftyt.com zqc7708@rftyt.com

TEL: +86-13088268828 FAX: +86-816-2846565

218# Wenwu Middle Road, Jinkai District, Mianyang, Sichuan Province China

Ready For Tackling Your Trouble