

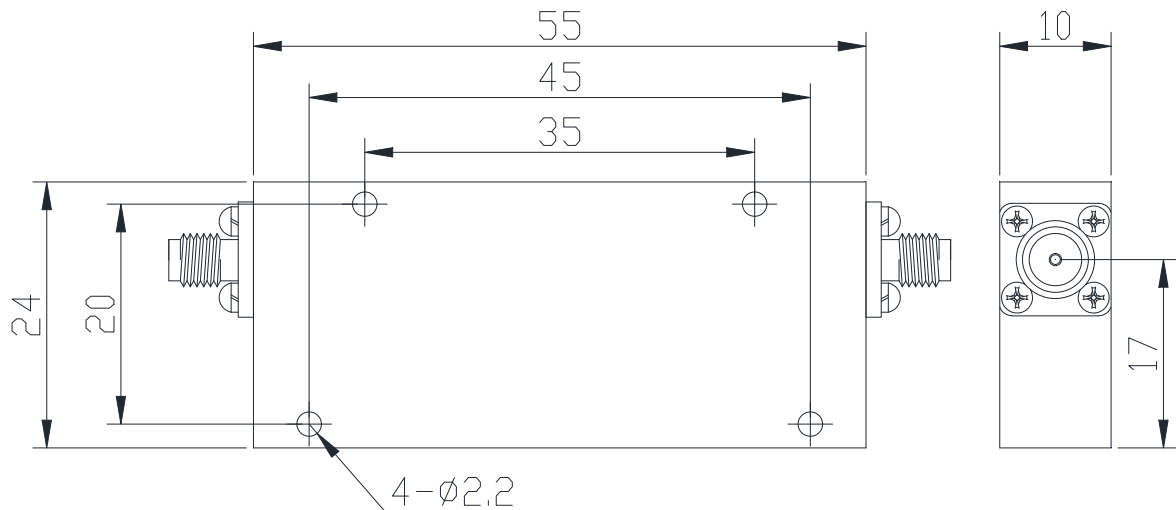
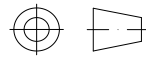


Low Pass Filter

Features and Electrical specifications:

| | |
|-----------------------|----------------------------------|
| Model | LPF-DCM2200A-S |
| Frequency Range | DC-2200 MHz |
| Insertion Loss | ≤1.5dB |
| Rejection | ≥10dB@2400MHz ≥60dB@2650-7000MHz |
| VSWR | 1.5 Max |
| Rated Power | 10 W |
| Impedance | 50 Ω |
| Connector Type | SMA-F |
| Dimension | 55.0x24.0x10.0mm |
| Surface Finishing | Black Painting |
| Operating Temperature | Ordinary Temperature |
| Storage Temperature | -55 ~ +85°C |

Outline Drawing (Unit: mm):



RFTYT Technology Co., LTD.

<http://www.rfyt.com>

E-mail: jackson@rfyt.com zqc7708@rfyt.com

TEL: +86-13088268828 FAX: +86-816-2846565

218# Wenwu Middle Road, Jinkai District, Mianyang, Sichuan Province China

Ready For Tackling Your Trouble