

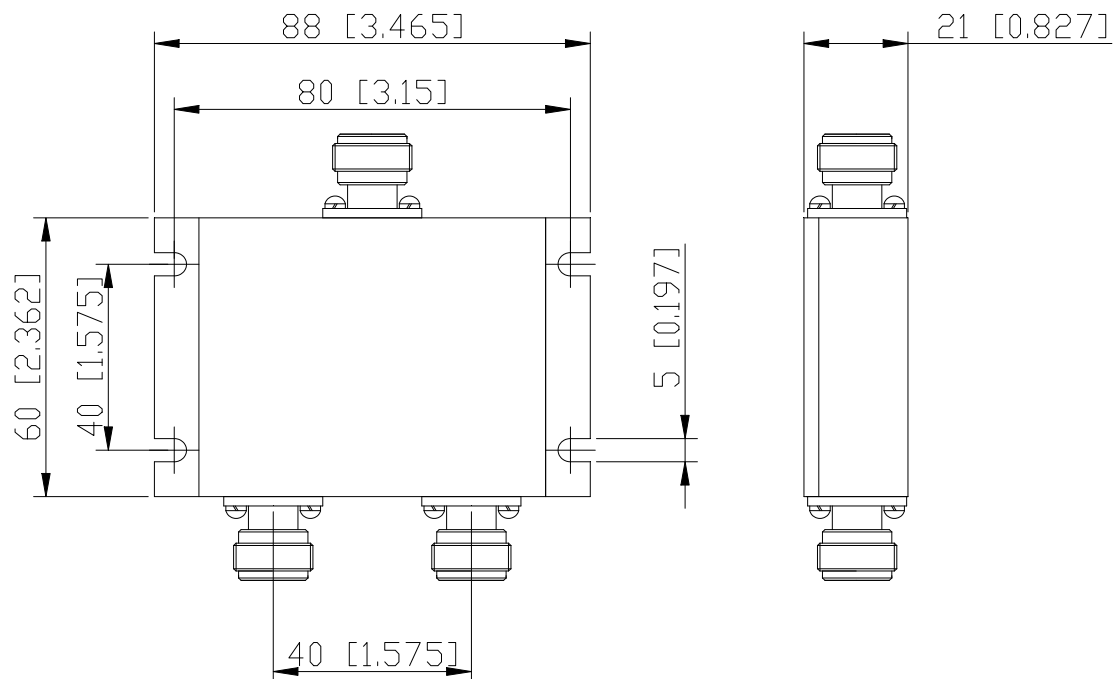
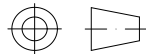


## 2 Way Power Divider

### Features and Electrical specifications:

Model	PD02-F7260-N/800-2700MHz
Frequency Range	800-2700 MHz
Split loss	3.0 dB
Insertion Loss	≤0.5 dB
Isolation	≥20 dB Min
VSWR	≤1.25 max
Rated Power	50 W
Impedance	50 Ω
Connector Type	N-F
Dimension	72X60X21 mm
Operating Temperature	-40 ~ +70°C
Weight	0.35 Kg
ROHS Compliant	Yes

### Outline Drawing (Unit: mm):



**RFTYT Technology Co., LTD.**

<http://www.rftyt.com>

E-mail : [jackson@rftyt.com](mailto:jackson@rftyt.com)      [zqc7708@rftyt.com](mailto:zqc7708@rftyt.com)

TEL: +86-13088268828      FAX: +86-816-2846565

218# Wenwu Middle Road, Jinkai District, Mianyang, Sichuan Province China

**Ready For Tackling Your Trouble**