

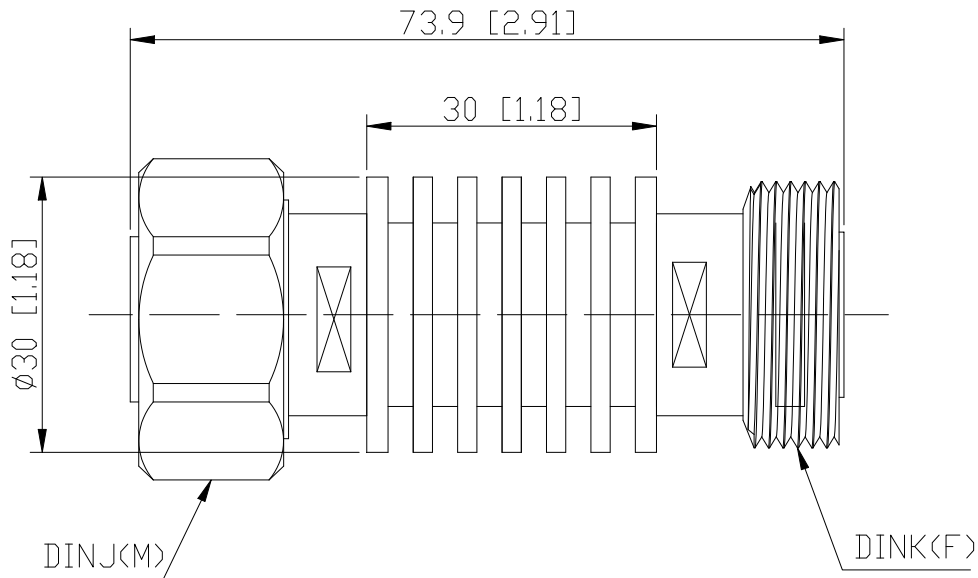
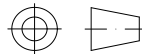


## Coaxial Fixed Attenuator

### Features and Electrical specifications:

Model	RFTXX-10RA3030-DIN-6 (XX=Attenuator Value)			
Frequency Range	DC~6.0GHz			
VSWR	1.30 Max			
Power	10 W			
Impedance	50 $\Omega$			
Attenuation	1-10dB	11-20dB	21-30dB	40dB
Attenuation Tolerance	$\pm 0.7$ dB	$\pm 0.8$ dB	$\pm 1.0$ dB	$\pm 1.0$ dB
Connector	DIN-J(M)/DIN-K(F)			
Dimension	$\Phi 30 \times 73.9$ mm			
Operating Temperature	-55 ~ +125°C (See de Power De-rating)			
Weight	About 200 g			
ROHS Compliant	Yes			

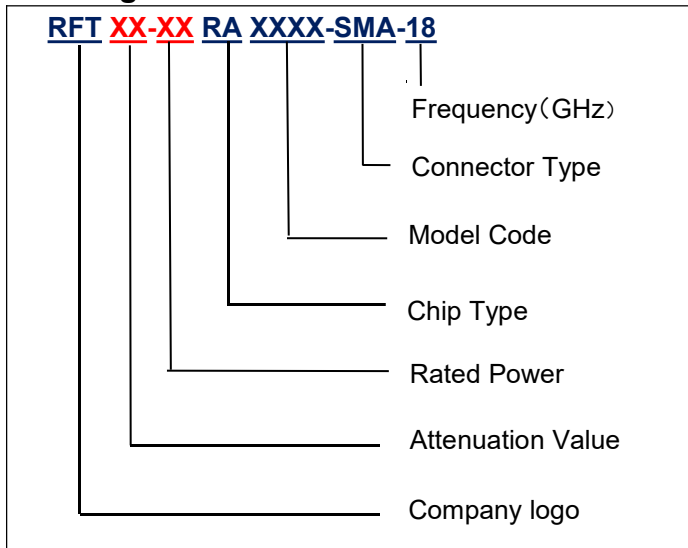
### Outline Drawing (Unit: mm/inch):



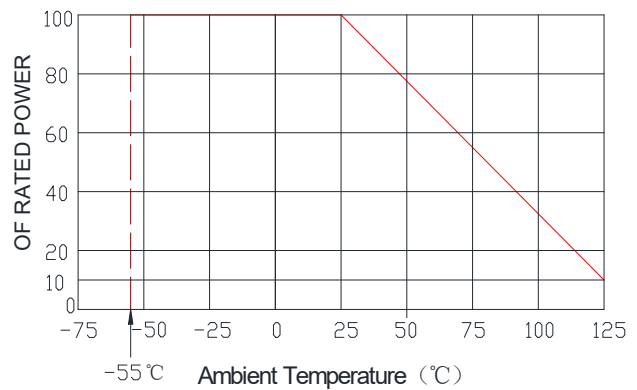
The connector could be SMA, DIN, 4.3-10 MM or FF ,  
or any two can be freely mixed and matched



**Naming rules:**



**Power De-rating:**



**Use attention:**

- 1、Dimensions Tolerance  $\pm 3\%$ ;
- 2、If necessary, the product shall be air-cooled for auxiliary heat dissipation;
- 3、Custom designs available of other special coaxial fixed attenuator;
- 4、Pay attention to the direction of the product during use and strictly prohibit reverse connection.