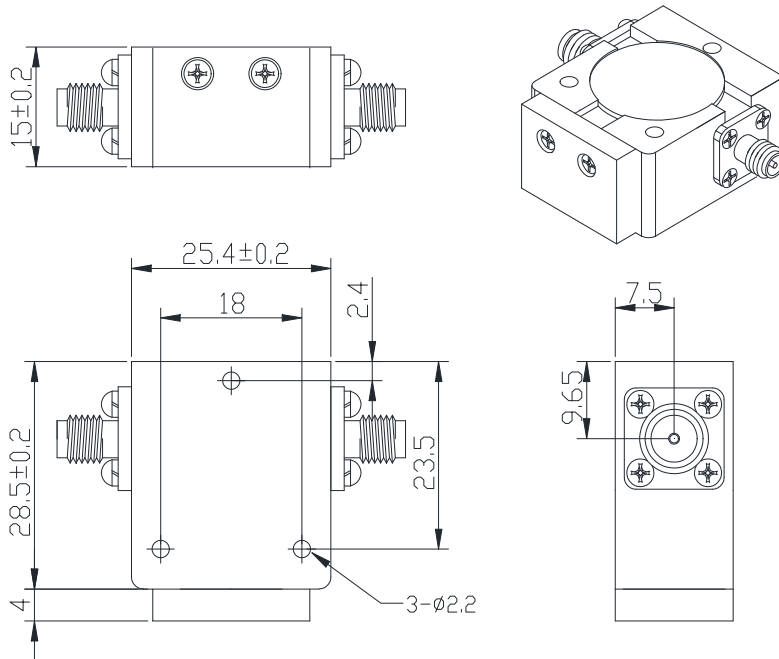


## 700 to 5000MHz Coaxial Isolator

### TG2528XS SMA Type

#### Outline Drawing (mm):



#### Features:

- ◇ Good temperature stability
- ◇ Withstand high power
- ◇ RoHS compliant
- ◇ Weight :  $\approx$  73 g

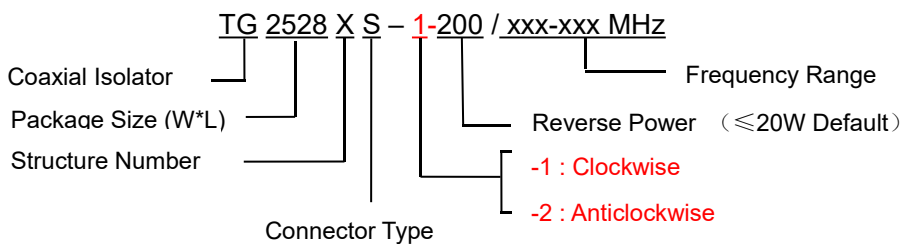
#### Material list:

- ◇ Shell: easy to cut iron plated nickel
- ◇ Inner conductor: silver plated brass
- ◇ Load chamber: aluminum conductive oxidation

#### Application:

- ◇ Rf amplifier final stage, protect the amplifier
- ◇ Tropospheric scatter communication
- ◇ GSM/CDMA/TD-SCDMA/WCDMA  
EGSM/Wimax/TD-LTE/AMPS/SMR  
5G and other communication systems

#### Order Examples:



#### Connector Type:

SMA Type Connector Options			N Type Connector Options		
Port 1	Port 2	Abbreviation	Port 1	Port 2	Abbreviation
SMA-F	SMA-F	S	N-F	N-F	N
SMA-F	SMA-M	SKJ	N-F	N-M	NKJ
SMA-M	SMA-F	SJK	N-M	N-F	NJK
SMA-M	SMA-M	SJ	N-M	N-M	NJ

**Basic Specifications :**

Impedance	50 Ω
Connector Type	SMA-F
Size(mm)	25.0*28.0*15.0
Operating Temp	-30~+75℃/-45~+85℃
Storage temperature	-50~+90℃

**Specifications :**

Model No. (X=1: →Clockwise) (X=2: ←Anticlockwise)	Freq. Range MHz	IL. dB (max)	Isolation dB (min)	VSWR	Forward Power CW	Reverse Power W
TG2528XS-X/700-750MHz	700-750	0.30	23.0	1.20	100	20/100
TG2528XS-X/700-800MHz	700-800	0.40	20.0	1.25	100	20/100
TG2528XS-X/700-900MHz	700-900	0.60	17.0	1.35	100	20/100
TG2528XS-X/703-803MHz	703-803	0.40	20.0	1.25	100	20/100
TG2528XS-X/750-800MHz	750-800	0.30	23.0	1.20	100	20/100
TG2528XS-X/750-950MHz	750-950	0.50	18.0	1.30	100	20/100
TG2528XS-X/800-850MHz	800-850	0.30	23.0	1.20	100	20/100
TG2528XS-X/800-900MHz	800-900	0.40	20.0	1.25	100	20/100
TG2528XS-X/800-1000MHz	800-1000	0.50	18.0	1.30	100	20/100
TG2528XS-X/820-865MHz	820-865	0.30	23.0	1.20	100	20/100
TG2528XS-X/820-880MHz	820-880	0.30	23.0	1.20	100	20/100
TG2528XS-X/830-940MHz	830-940	0.40	20.0	1.25	100	20/100
TG2528XS-X/850-870MHz	850-870	0.30	23.0	1.20	100	20/100
TG2528XS-X/850-960MHz	850-960	0.40	20.0	1.25	100	20/100
TG2528XS-X/851-866MHz	851-866	0.30	23.0	1.20	100	20/100
TG2528XS-X/860-960MHz	860-960	0.40	20.0	1.25	100	20/100
TG2528XS-X/865-880MHz	865-880	0.30	23.0	1.20	100	20/100
TG2528XS-X/869-894MHz	869-894	0.30	23.0	1.20	100	20/100
TG2528XS-X/870-880MHz	870-880	0.30	23.0	1.20	100	20/100



<b>Model No.</b> (X=1: →Clockwise) (X=2: ←Anticlockwise)	<b>Freq. Range</b> <b>MHz</b>	<b>IL</b> <b>dB</b> <b>(max)</b>	<b>Isolation</b> <b>dB (min)</b>	<b>VSWR</b>	<b>Forward Power</b> <b>CW</b>	<b>Reverse Power</b> <b>W</b>
TG2528XS-X/890-915MHz	890-915	0.30	23.0	1.20	100	20/100
TG2528XS-X/880-915MHz	880-915	0.30	23.0	1.20	100	20/100
TG2528XS-X/880-960MHz	880-960	0.30	23.0	1.20	100	20/100
TG2528XS-X/885-915MHz	885-915	0.30	23.0	1.20	100	20/100
TG2528XS-X/900-928MHz	900-928	0.30	23.0	1.20	100	20/100
TG2528XS-X/920-960MHz	920-960	0.30	23.0	1.20	100	20/100
TG2528XS-X/869-894MHz	869-894	0.30	23.0	1.20	100	20/100
TG2528XS-X/870-960MHz	870-960	0.40	20.0	1.25	100	20/100
TG2528XS-X/930-960MHz	930-960	0.30	23.0	1.20	100	20/100
TG2528XS-X/950-1150MHz	950-1150	0.40	20.0	1.25	100	20/100
TG2528XS-X/960-1215MHz	960-1215	0.50	18.0	1.30	100	20/100
TG2528XS-X/1000-1100MHz	1000-1100	0.30	23.0	1.20	100	20/100
TG2528XS-X/1030-1090MHz	1030-1090	0.30	23.0	1.20	100	20/100
TG2528XS-X/1100-1300MHz	1100-1300	0.40	20.0	1.25	100	20/100
TG2528XS-X/1150-1300MHz	1150-1300	0.35	20.0	1.25	100	20/100
TG2528XS-X/1150-1350MHz	1150-1350	0.40	20.0	1.25	100	20/100
TG2528XS-X/1200-1300MHz	1200-1300	0.30	23.0	1.20	100	20/100
TG2528XS-X/1200-1400MHz	1200-1400	0.35	20.0	1.25	100	20/100
TG2528XS-X/1290-1310MHz	1290-1310	0.25	25.0	1.15	100	20/100
TG2528XS-X/1300-1800MHz	1300-1800	0.60	17.0	1.35	100	20/100
TG2528XS-X/1325-1425MHz	1325-1425	0.30	23.0	1.20	100	20/100
TG2528XS-X/1350-1850MHz	1350-1850	0.60	17.0	1.35	100	20/100
TG2528XS-X/1400-1500MHz	1400-1500	0.30	23.0	1.20	100	20/100
TG2528XS-X/1400-1600MHz	1400-1600	0.35	20.0	1.25	100	20/100
TG2528XS-X/1400-1700MHz	1400-1700	0.40	20.0	1.25	100	20/100
TG2528XS-X/1440-1470MHz	1440-1470	0.30	23.0	1.20	100	20/100



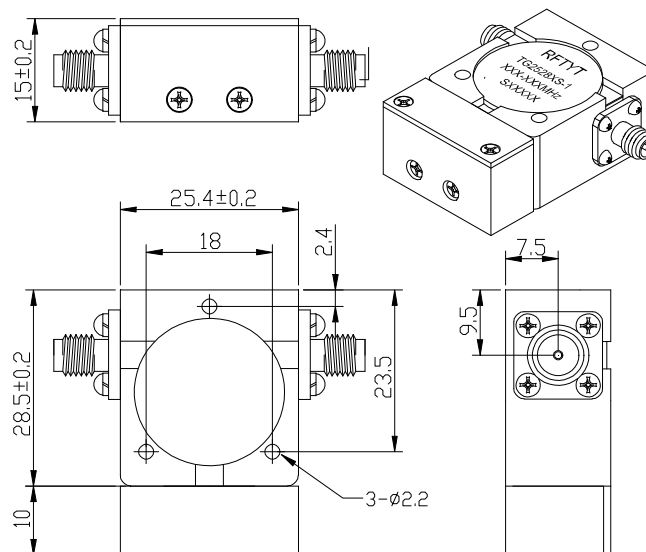
<b>Model No.</b> (X=1: →Clockwise) (X=2: ←Anticlockwise)	<b>Freq. Range</b> <b>MHz</b>	<b>IL</b> <b>dB</b> <b>(max)</b>	<b>Isolation</b> <b>dB (min)</b>	<b>VSWR</b>	<b>Forward Power</b> <b>CW</b>	<b>Reverse Power</b> <b>W</b>
TG2528XS-X/1450-1550MHz	1450-1550	0.30	23.0	1.20	100	20/100
TG2528XS-X/1500-1600MHz	1500-1600	0.30	23.0	1.20	100	20/100
TG2528XS-X/1500-1700MHz	1500-1700	0.35	20.0	1.25	100	20/100
TG2528XS-X/1500-2000MHz	1500-2000	0.60	17.0	1.35	100	20/100
TG2528XS-X/1600-2100MHz	1600-2100	0.50	18.0	1.30	100	20/100
TG2528XS-X/1610-1630MHz	1610-1630	0.25	23.0	1.20	100	20/100
TG2528XS-X/1700-1900MHz	1700-1900	0.35	20.0	1.25	100	20/100
TG2528XS-X/1700-2200MHz	1700-2200	0.40	20.0	1.25	100	20/100
TG2528XS-X/1700-2300MHz	1700-2300	0.50	18.0	1.30	100	20/100
TG2528XS-X/1710-1785MHz	1710-1785	0.30	23.0	1.20	100	20/100
TG2528XS-X/1800-2000MHz	1800-2000	0.35	20.0	1.25	100	20/100
TG2528XS-X/1800-2200MHz	1800-2200	0.40	20.0	1.25	100	20/100
TG2528XS-X/1800-2400MHz	1800-2400	0.50	18.0	1.30	100	20/100
TG2528XS-X/1805-1880MHz	1805-1880	0.30	23.0	1.20	100	20/100
TG2528XS-X/1880-1920MHz	1880-1920	0.30	23.0	1.20	100	20/100
TG2528XS-X/1900-2200MHz	1900-2200	0.35	20.0	1.25	100	20/100
TG2528XS-X/1920-1980MHz	1920-1980	0.30	23.0	1.20	100	20/100
TG2528XS-X/2000-2400MHz	2000-2400	0.40	20.0	1.25	100	20/100
TG2528XS-X/2000-2500MHz	2000-2500	0.50	19.0	1.25	100	20/100
TG2528XS-X/2000-2600MHz	2000-2600	0.50	18.0	1.30	100	20/100
TG2528XS-X/2100-2700MHz	2100-2700	0.50	18.0	1.30	100	20/100
TG2528XS-X/2100-2500MHz	2100-2500	0.40	20.0	1.25	100	20/100
TG2528XS-X/2110-2170MHz	2110-2170	0.30	23.0	1.20	100	20/100
TG2528XS-X/2200-2300MHz	2200-2300	0.30	23.0	1.20	100	20/100
TG2528XS-X/2200-2500MHz	2200-2500	0.35	20.0	1.20	100	20/100
TG2528XS-X/2300-2400MHz	2300-2400	0.30	23.0	1.20	100	20/100



<b>Model No.</b> (X=1: →Clockwise) (X=2: ←Anticlockwise)	<b>Freq. Range</b> <b>MHz</b>	<b>IL.</b> <b>dB</b> (max)	<b>Isolation</b> <b>dB (min)</b>	<b>VSWR</b>	<b>Forward Power</b> <b>CW</b>	<b>Reverse Power</b> <b>W</b>
TG2528XS-X/2300-2500MHz	2300-2500	0.40	20.0	1.20	100	20/100
TG2528XS-X/2300-2700MHz	2300-2700	0.40	20.0	1.20	100	20/100
TG2528XS-X/2400-2500MHz	2400-2500	0.30/	23.0	1.20	100	20/100
TG2528XS-X/2400-2600MHz	2400-2600	0.30	20.0	1.20	100	20/100
TG2528XS-X/2400-2700MHz	2400-2700	0.35	20.0	1.25	100	20/100
TG2528XS-X/2500-2700MHz	2500-2700	0.30	20.0	1.20	100	20/100
TG2528XS-X/2555-2655MHz	2555-2655	0.30	23.0	1.20	100	20/100
TG2528XS-X/2600-2700MHz	2600-2700	0.30	23.0	1.20	100	20/100
TG2528XS-X/2600-3000MHz	2600-3000	0.50	18.0	1.30	100	20/100
TG2528XS-X/2600-3300MHz	2600-3300	0.60	17.0	1.35	100	20/100
TG2528XS-X/2700-2900MHz	2700-2900	0.30	20.0	1.20	100	20/100
TG2528XS-X/2700-3100MHz	2700-3100	0.40	20.0	1.25	100	20/100
TG2528XS-X/2700-3400MHz	2700-3400	0.50	18.0	1.30	100	20/100
TG2528XS-X/2800-3200MHz	2800-3200	0.40	20.0	1.25	100	20/100
TG2528XS-X/2900-3100MHz	2900-3100	0.30	20.0	1.20	100	20/100
TG2528XS-X/2900-3300MHz	2900-3300	0.40	20.0	1.25	100	20/100
TG2528XS-X/2900-3500MHz	2900-3500	0.45	20.0	1.25	100	20/100
TG2528XS-X/3000-3600MHz	3000-3600	0.40	20.0	1.25	100	20/100
TG2528XS-X/3100-3500MHz	3100-3500	0.40	20.0	1.25	100	20/100
TG2528XS-X/3200-3700MHz	3200-3700	0.40	20.0	1.25	100	20/100
TG2528XS-X/3300-3600MHz	3300-3600	0.30	20.0	1.20	100	20/100
TG2528XS-X/3400-3600MHz	3400-3600	0.30	20.0	1.20	100	20/100
TG2528XS-X/3400-4200MHz	3400-4200	0.50	19.0	1.25	100	20/100
TG2528XS-X/3550-3650MHz	3550-3650	0.30	23.0	1.20	100	20/100
TG2528XS-X/3600-3800MHz	3600-3800	0.30	23.0	1.20	100	20/100
TG2528XS-X/3600-4000MHz	3600-4000	0.30	20.0	1.25	100	20/100

Model No. (X=1: →Clockwise) (X=2: ←Anticlockwise)	Freq. Range MHz	IL. dB (max)	Isolation dB (min)	VSWR	Forward Power CW	Reverse Power W
TG2528XS-X/3700-3900MHz	3700-3900	0.30	23.0	1.20	100	20/100
TG2528XS-X/3700-4200MHz	3700-4200	0.45	19.0	1.25	100	20/100
TG2528XS-X/3750-4250MHz	3750-4250	0.45	19.0	1.25	100	20/100
TG2528XS-X/4000-4600MHz	4000-4600	0.40	20.0	1.25	100	20/100

**Reverse power 100W size type**



The reflected power of this figure is 100W, the indicators are shown in the table above, and its model is  
**TG2528XS-X-100/XXX-XXXMHz**

**Instructions:**

- 1, the isolator connector can be selected SMA, N, male and female head can be used with the user;
- 2, the reflection power is commonly used 20W and 100W options, you can also configure the total reflection power according to user requirements;
- 3, only some common frequencies in the table, can be produced according to the user's requirements;
- 4, if you do not find what you are looking for, please contact us!